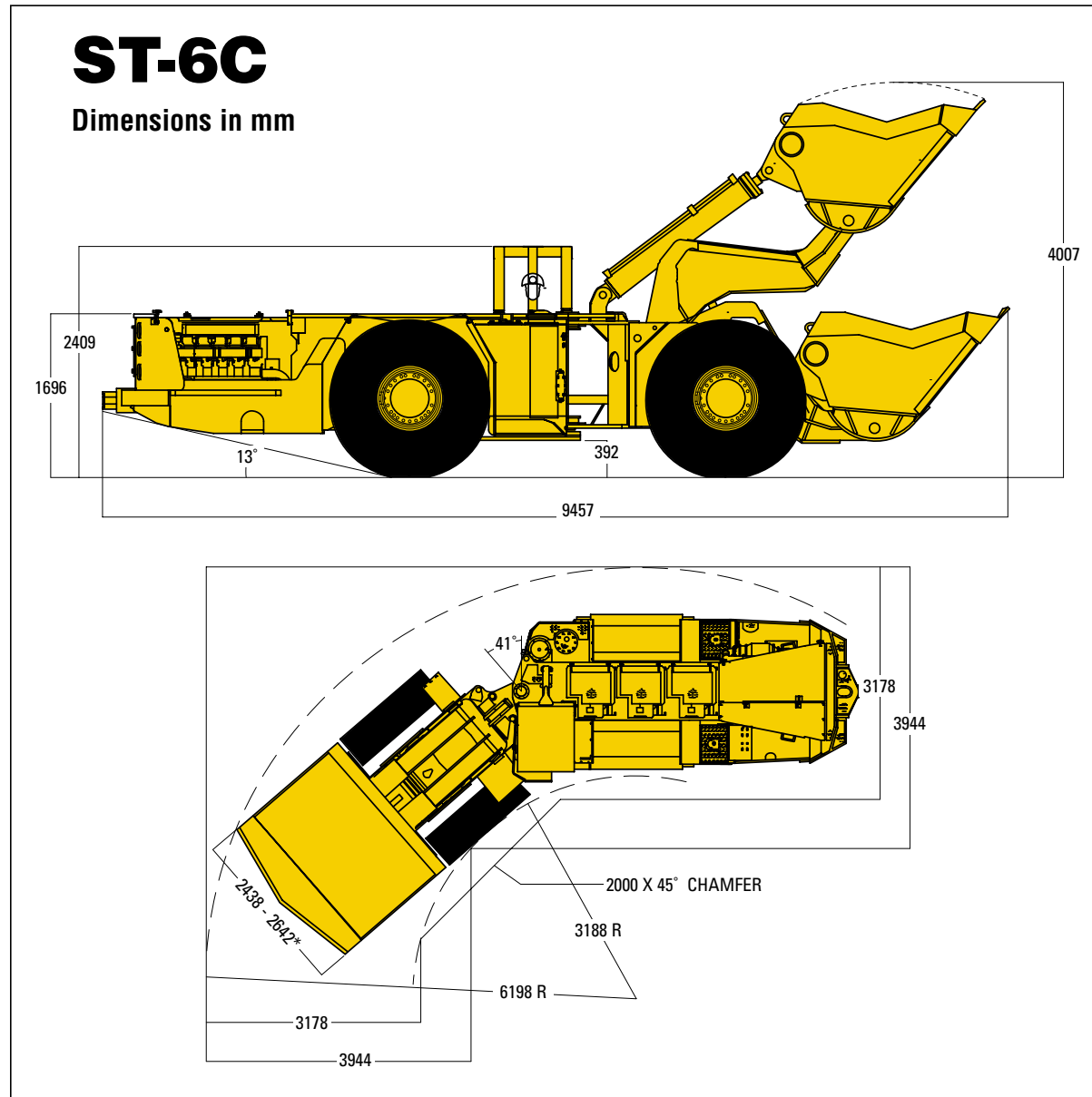


# Atlas Copco

Technical Specifications

## 9.5 Tonne Capacity Scooptram® LHD Atlas Copco Wagner Inc.



\* Width depends on bucket volume sized to material density

### Main Components

- Canopy.....MSHA-ISO ROPS/FOPS Certified
- Bucket Volume.....4.6 m<sup>3</sup> (Standard)
- Engine.....Deutz Diesel
- Axles.....Spicer
- Brakes.....SAHR®



## 9.5 Tonne Capacity Scooptram® LHD

### **ST-6C**

#### **Capacity**

Tramming Capacity.....9525 kg (21,000 lbs)

#### **Engine**

Deutz Diesel.....F10L-413FW  
172 kW (231 hp)

#### **Exhaust System**

Catalytic Purifier Plus Exhaust Silencer

#### **Brakes**

Service.....SAHR®

Spring Applied Hydraulically Released;  
Force Cooled, Multiple Wet Discs at Each Wheel End

Parking and Emergency.....SAHR®

#### **Tires**

Tire Size, Front & Rear.....18.00 x 25, 24 Ply, L-5S

#### **Operator's Arrangement**

Side Seated Operator for Bi-Directional Operation &  
Maximum Visibility and with  
MSHA-ISO ROPS/FOPS Certified Canopy

#### **Operating Weight (Approximately)**

Empty.....24238 kg (53,435 lbs)

#### **Selected Options:**

- Water Scrubber
- E-O-D® Bucket
- Fire Suppression
- Auto Lube
- Radio Remote Control