



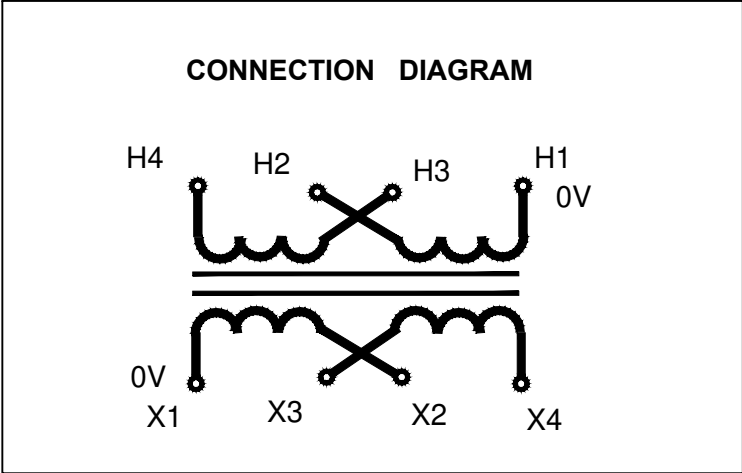
# MARCUS

Marcus Transformer LTD  
 Phone: 1-800-267-7376  
 Fax: 1-866-205-7526  
 Email: Info@marcustransformer.com

## TECHNICAL DATA SINGLE PHASE CONTROL TRANSFORMER

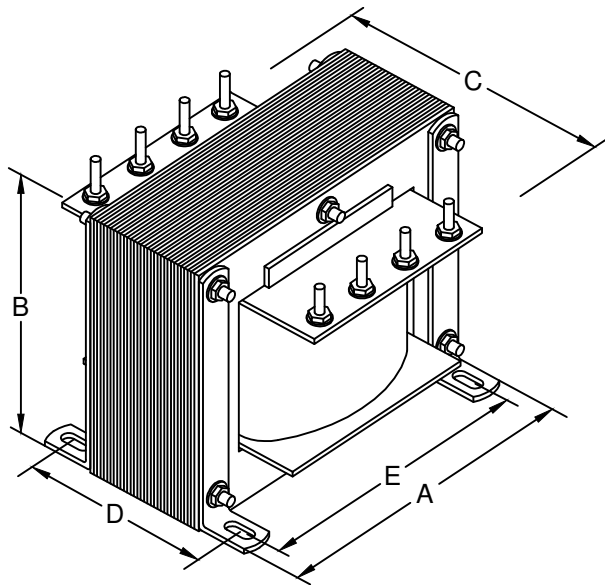
### DESCRIPTION

|                   |   |
|-------------------|---|
| MODEL             | MO2KA                                     |
| Type              | Open                                      |
| VA                | 2000                                      |
| Primary (Volts)   | 120 / 240                                 |
| Secondary (Volts) | 12 / 24                                   |
| Input Amps        | 16.67 / 8.33                              |
| Output Amps       | 166.67 / 83.33                            |
| Temperature Rise  | 100°C                                     |
| Insulation Class  | F (155°C)                                 |
| Frequency         | 50 / 60Hz                                 |
| Polarity          | additive                                  |
| Noise level       | less than 40DB                            |
| Winding           | Copper                                    |
| Approvals         | CE compliant<br>UL listed<br>CSA approved |



### WIRING CONNECTION

| PRIMARY :   |                 |                    |
|-------------|-----------------|--------------------|
| VOLTS       | INTERCONNECT:   | CONNECT LINES TO : |
| 120         | H1-H3 AND H2-H4 | H1-H4              |
| 240         | H2-H3           | H1-H4              |
| SECONDARY : |                 |                    |
| VOLTS       | INTERCONNECT:   | CONNECT LINES TO : |
| 12          | X1-X3 AND X2-X4 | X1-X4              |
| 24          | X2-X3           | X1-X4              |



### DIMENSIONS INCHES / MM

| VA   | A             | B             | C             | D             | E             | MOUNTING HOLES INCHES / MM | SHIP WEIGHT LBS / KG |
|------|---------------|---------------|---------------|---------------|---------------|----------------------------|----------------------|
| 2000 | 7.50<br>190.5 | 6.25<br>158.8 | 7.75<br>196.9 | 4.50<br>114.3 | 6.75<br>171.5 | 0.31 x 0.688<br>7.9 x 17.5 | 39.0<br>17.8         |

Notes:



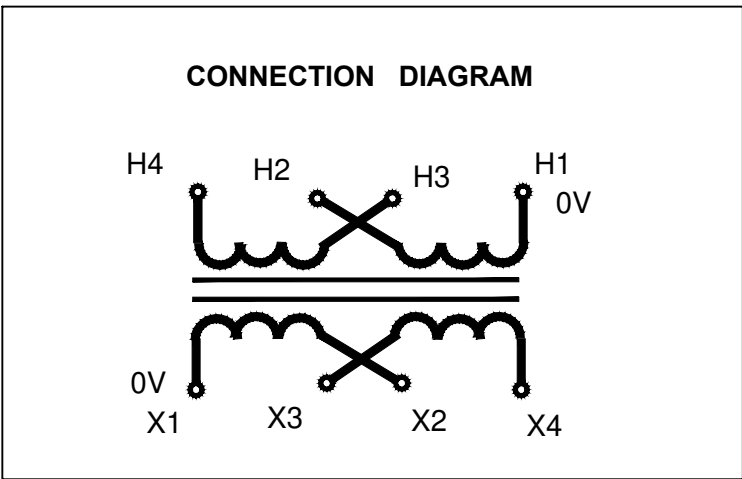
# MARCUS

Marcus Transformer LTD  
 Phone: 1-800-267-7376  
 Fax: 1-866-205-7526  
 Email: Info@marcustransformer.com

## TECHNICAL DATA SINGLE PHASE CONTROL TRANSFORMER

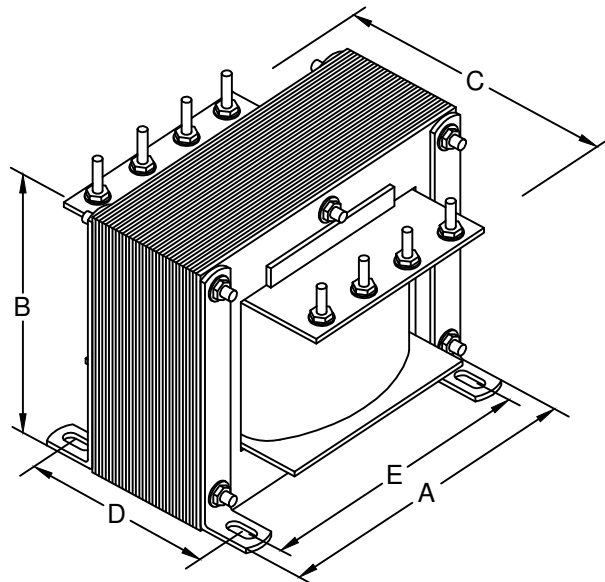
### DESCRIPTION

|                   |   |
|-------------------|---|
| MODEL             | MO2KB                                     |
| Type              | Open                                      |
| VA                | 2000                                      |
| Primary (Volts)   | 120 / 240                                 |
| Secondary (Volts) | 16 / 32                                   |
| Input Amps        | 16.67 / 8.33                              |
| Output Amps       | 125.0 / 62.5                              |
| Temperature Rise  | 100°C                                     |
| Insulation Class  | F (155°C)                                 |
| Frequency         | 50 / 60Hz                                 |
| Polarity          | additive                                  |
| Noise level       | less than 40DB                            |
| Winding           | Copper                                    |
| Approvals         | CE compliant<br>UL listed<br>CSA approved |



### WIRING CONNECTION

| PRIMARY :   |                 |                    |
|-------------|-----------------|--------------------|
| VOLTS       | INTERCONNECT:   | CONNECT LINES TO : |
| 120         | H1-H3 AND H2-H4 | H1-H4              |
| 240         | H2-H3           | H1-H4              |
| SECONDARY : |                 |                    |
| VOLTS       | INTERCONNECT:   | CONNECT LINES TO : |
| 16          | X1-X3 AND X2-X4 | X1-X4              |
| 32          | X2-X3           | X1-X4              |



### DIMENSIONS INCHES / MM

| VA   | A             | B             | C             | D             | E             | MOUNTING HOLES INCHES / MM | SHIP WEIGHT LBS / KG |
|------|---------------|---------------|---------------|---------------|---------------|----------------------------|----------------------|
| 2000 | 7.50<br>190.5 | 6.25<br>158.8 | 7.75<br>196.9 | 4.50<br>114.3 | 6.75<br>171.5 | 0.31 x 0.688<br>7.9 x 17.5 | 39.0<br>17.8         |

Notes:



# MARCUS

Marcus Transformer LTD  
 Phone: 1-800-267-7376  
 Fax: 1-866-205-7526  
 Email: Info@marcustransformer.com

## TECHNICAL DATA

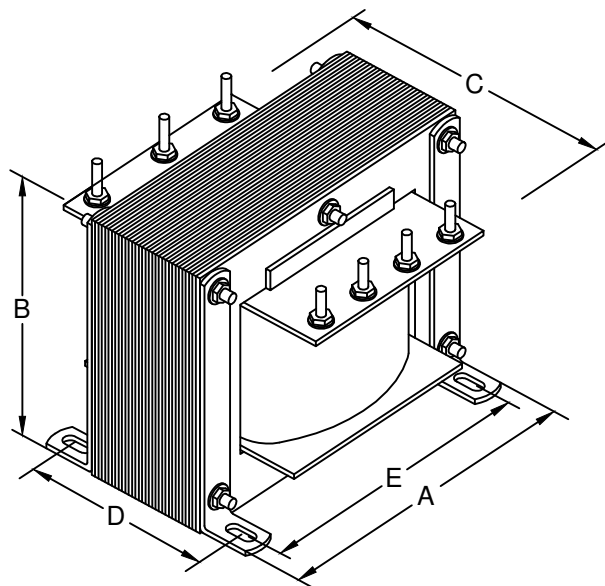
SINGLE PHASE CONTROL TRANSFORMER

| DESCRIPTION       |   |
|-------------------|---|
| MODEL             | MO2KC                                     |
| Type              | Open                                      |
| VA                | 2000                                      |
| Primary (Volts)   | 347 / 380                                 |
| Secondary (Volts) | 12 / 24                                   |
| Input Amps        | 5.76 / 5.26                               |
| Output Amps       | 166.67 / 83.33                            |
| Temperature Rise  | 100°C                                     |
| Insulation Class  | F (155°C)                                 |
| Frequency         | 50 / 60Hz                                 |
| Polarity          | additive                                  |
| Noise level       | less than 40DB                            |
| Winding           | Copper                                    |
| Approvals         | CE compliant<br>UL listed<br>CSA approved |

### Primary Tabs

|       |    |     |     |  |  |  |  |
|-------|----|-----|-----|--|--|--|--|
| Pos.  | H1 | H2  | H3  |  |  |  |  |
| Volts | 0V | 347 | 380 |  |  |  |  |

### CONNECTION DIAGRAM



### WIRING CONNECTION

| PRIMARY :   |                    |                    |
|-------------|--------------------|--------------------|
| VOLTS       | CONNECT LINES TO : |                    |
| 347         | H1-H2              |                    |
| 380         | H1-H3              |                    |
| SECONDARY : |                    |                    |
| VOLTS       | INTERCONNECT:      | CONNECT LINES TO : |
| 12          | X1-X3 AND X2-X4    | X1-X4              |
| 24          | X2-X3              | X1-X4              |

### DIMENSIONS INCHES / MM

| VA   | A             | B             | C             | D             | E             | MOUNTING HOLES INCHES / MM | SHIP WEIGHT LBS / KG |
|------|---------------|---------------|---------------|---------------|---------------|----------------------------|----------------------|
| 2000 | 7.50<br>190.5 | 6.25<br>158.8 | 7.75<br>196.9 | 4.50<br>114.3 | 6.75<br>171.5 | 0.31 x 0.688<br>7.9 x 17.5 | 39.0<br>17.8         |

Notes:



# MARCUS

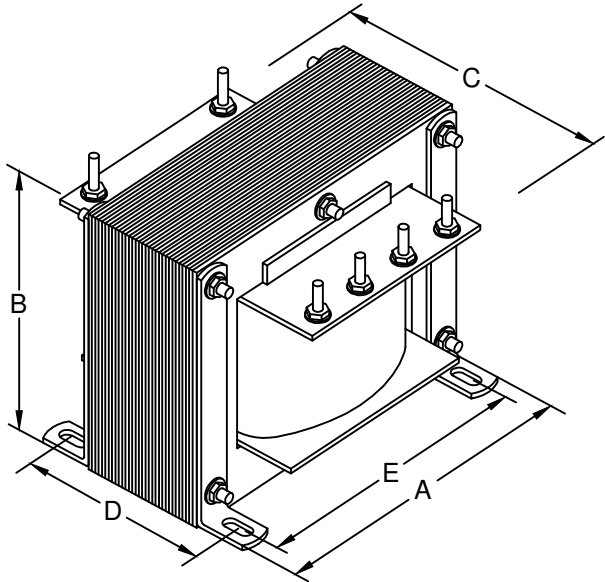
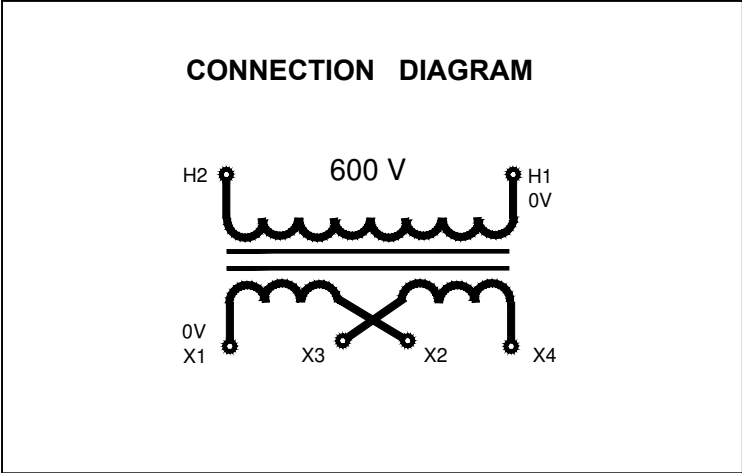
Marcus Transformer LTD  
 Phone: 1-800-267-7376  
 Fax: 1-866-205-7526  
 Email: Info@marcustransformer.com

## TECHNICAL DATA

SINGLE PHASE CONTROL TRANSFORMER

### DESCRIPTION

|                    |   |
|--------------------|---|
| MODEL              | MO2KD                                     |
| Type               | Open                                      |
| VA                 | 2000                                      |
| Primary (Volts)    | 600                                       |
| Secondary (Volts)  | 12 / 24                                   |
| Input /Output Amps | 3.33 / 166.67 , 83.33                     |
| Temperature Rise   | 100°C                                     |
| Insulation Class   | F (155°C)                                 |
| Frequency          | 60Hz                                      |
| Polarity           | additive                                  |
| Noise level        | less than 40DB                            |
| Winding            | Copper                                    |
| Approvals          | CE compliant<br>UL listed<br>CSA approved |



### WIRING CONNECTION

| PRIMARY :   |                    |                    |
|-------------|--------------------|--------------------|
| VOLTS       | CONNECT LINES TO : |                    |
| 600         | H1-H2              |                    |
| SECONDARY : |                    |                    |
| VOLTS       | INTERCONNECT:      | CONNECT LINES TO : |
| 12          | X1-X3 AND X2-X4    | X1-X4              |
| 24          | X2-X3              | X1-X4              |
| 12/24       | X2-X3              | X1-X3-X4           |

### DIMENSIONS INCHES / MM

| VA   | A             | B             | C             | D             | E             | MOUNTING HOLES INCHES / MM | SHIP WEIGHT LBS / KG |
|------|---------------|---------------|---------------|---------------|---------------|----------------------------|----------------------|
| 2000 | 7.50<br>190.5 | 6.25<br>158.8 | 7.75<br>196.9 | 4.50<br>114.3 | 6.75<br>171.5 | 0.31 x 0.688<br>7.9 x 17.5 | 39.0<br>17.8         |

Notes:



# MARCUS

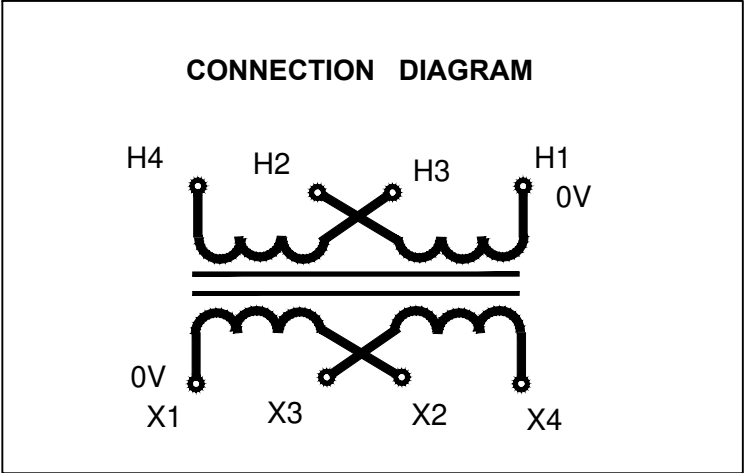
Marcus Transformer LTD  
 Phone: 1-800-267-7376  
 Fax: 1-866-205-7526  
 Email: Info@marcustransformer.com

## TECHNICAL DATA

SINGLE PHASE CONTROL TRANSFORMER

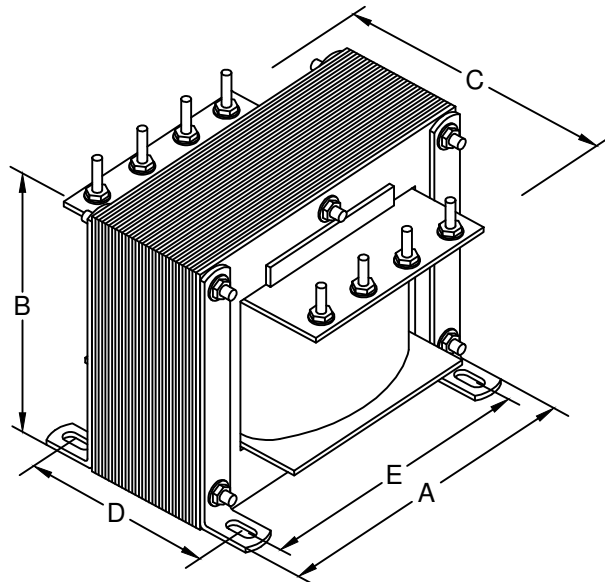
### DESCRIPTION

|                   |   |
|-------------------|---|
| MODEL             | MO2KE                                     |
| Type              | Open                                      |
| VA                | 2000                                      |
| Primary (Volts)   | 120 / 240                                 |
| Secondary (Volts) | 120 / 240                                 |
| Input Amps        | 16.67 / 8.33                              |
| Output Amps       | 16.67 / 8.33                              |
| Temperature Rise  | 100°C                                     |
| Insulation Class  | F (155°C)                                 |
| Frequency         | 50 / 60Hz                                 |
| Polarity          | additive                                  |
| Noise level       | less than 40DB                            |
| Winding           | Copper                                    |
| Approvals         | CE compliant<br>UL listed<br>CSA approved |



### WIRING CONNECTION

| PRIMARY :   |                 |                    |
|-------------|-----------------|--------------------|
| VOLTS       | INTERCONNECT:   | CONNECT LINES TO : |
| 120         | H1-H3 AND H2-H4 | H1-H4              |
| 240         | H2-H3           | H1-H4              |
| SECONDARY : |                 |                    |
| VOLTS       | INTERCONNECT:   | CONNECT LINES TO : |
| 120         | X1-X3 AND X2-X4 | X1-X4              |
| 240         | X2-X3           | X1-X4              |



### DIMENSIONS INCHES / MM

| VA   | A             | B             | C             | D             | E             | MOUNTING HOLES INCHES / MM | SHIP WEIGHT LBS / KG |
|------|---------------|---------------|---------------|---------------|---------------|----------------------------|----------------------|
| 2000 | 7.50<br>190.5 | 6.25<br>158.8 | 7.75<br>196.9 | 4.50<br>114.3 | 6.75<br>171.5 | 0.31 x 0.688<br>7.9 x 17.5 | 39.0<br>17.8         |

Notes:



# MARCUS

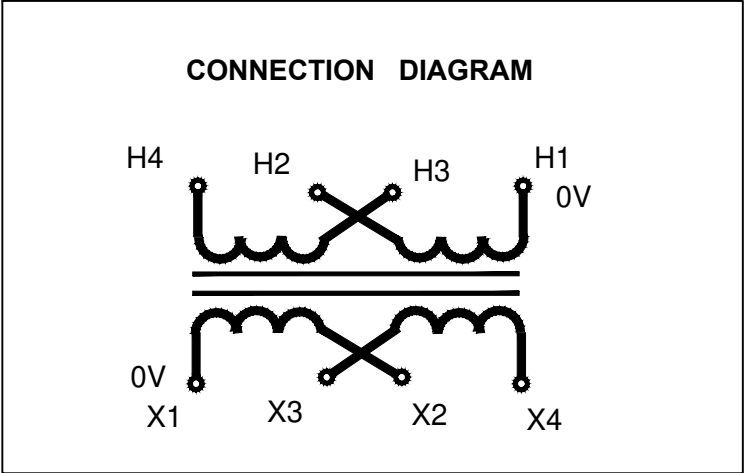
Marcus Transformer LTD  
 Phone: 1-800-267-7376  
 Fax: 1-866-205-7526  
 Email: Info@marcustransformer.com

## TECHNICAL DATA

SINGLE PHASE CONTROL TRANSFORMER

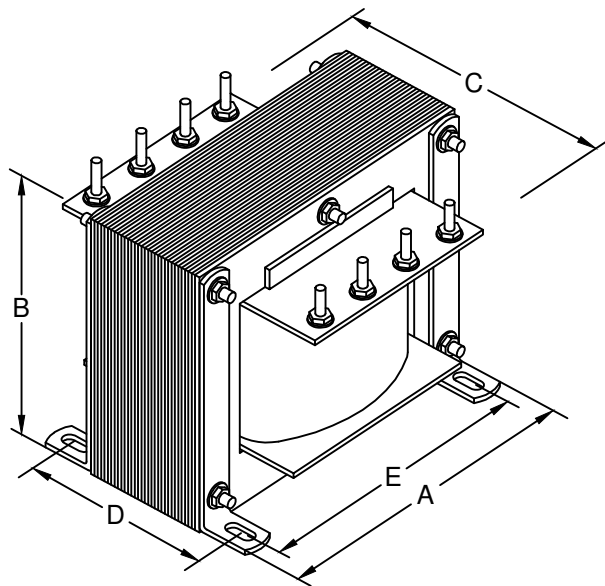
### DESCRIPTION

|                   |   |
|-------------------|---|
| MODEL             | MO2KF                                     |
| Type              | Open                                      |
| VA                | 2000                                      |
| Primary (Volts)   | 208 / 416                                 |
| Secondary (Volts) | 120 / 240                                 |
| Input Amps        | 9.62 / 4.81                               |
| Output Amps       | 16.67 / 8.33                              |
| Temperature Rise  | 100°C                                     |
| Insulation Class  | F (155°C)                                 |
| Frequency         | 50 / 60Hz                                 |
| Polarity          | additive                                  |
| Noise level       | less than 40DB                            |
| Winding           | Copper                                    |
| Approvals         | CE compliant<br>UL listed<br>CSA approved |



### WIRING CONNECTION

| PRIMARY :   |                 |                    |
|-------------|-----------------|--------------------|
| VOLTS       | INTERCONNECT:   | CONNECT LINES TO : |
| 208         | H1-H3 AND H2-H4 | H1-H4              |
| 416         | H2-H3           | H1-H4              |
| SECONDARY : |                 |                    |
| VOLTS       | INTERCONNECT:   | CONNECT LINES TO : |
| 120         | X1-X3 AND X2-X4 | X1-X4              |
| 240         | X2-X3           | X1-X4              |



### DIMENSIONS INCHES / MM

| VA   | A             | B             | C             | D             | E             | MOUNTING HOLES INCHES / MM | SHIP WEIGHT LBS / KG |
|------|---------------|---------------|---------------|---------------|---------------|----------------------------|----------------------|
| 2000 | 7.50<br>190.5 | 6.25<br>158.8 | 7.75<br>196.9 | 4.50<br>114.3 | 6.75<br>171.5 | 0.31 x 0.688<br>7.9 x 17.5 | 39.0<br>17.8         |

Notes:



# MARCUS

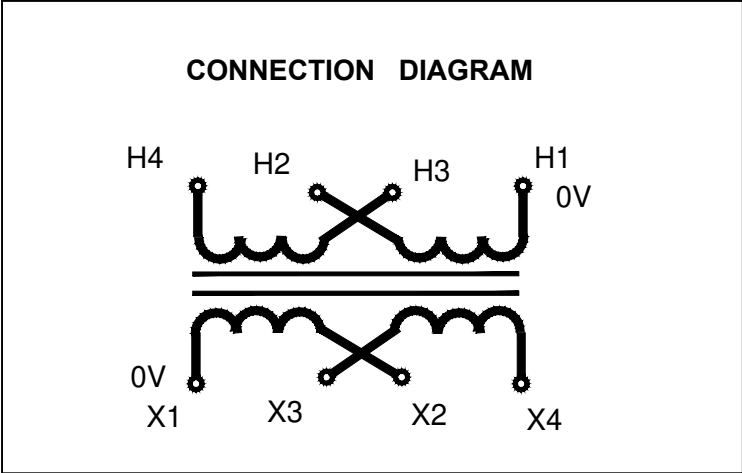
Marcus Transformer LTD  
 Phone: 1-800-267-7376  
 Fax: 1-866-205-7526  
 Email: Info@marcustransformer.com

## TECHNICAL DATA

SINGLE PHASE CONTROL TRANSFORMER

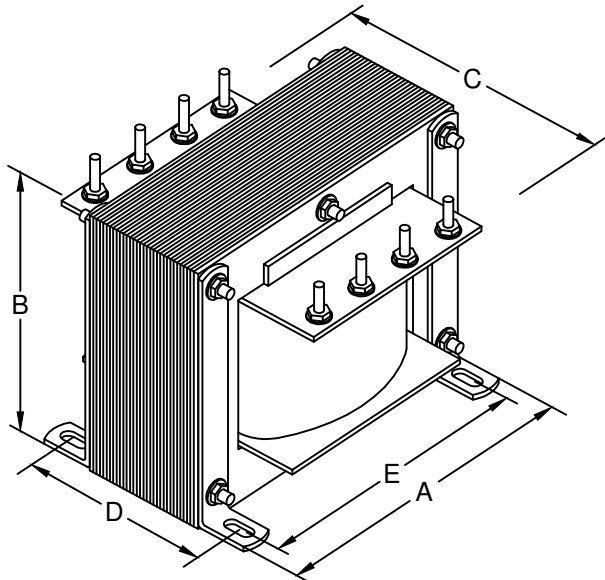
### DESCRIPTION

|                   |   |
|-------------------|---|
| MODEL             | MO2KG                                     |
| Type              | Open                                      |
| VA                | 2000                                      |
| Primary (Volts)   | 240 / 480                                 |
| Secondary (Volts) | 120 / 240                                 |
| Input Amps        | 8.33 / 4.17                               |
| Output Amps       | 16.67 / 8.33                              |
| Temperature Rise  | 100°C                                     |
| Insulation Class  | F (155°C)                                 |
| Frequency         | 60Hz                                      |
| Polarity          | additive                                  |
| Noise level       | less than 40DB                            |
| Winding           | Copper                                    |
| Approvals         | CE compliant<br>UL listed<br>CSA approved |



### WIRING CONNECTION

| PRIMARY :   |                 |                    |
|-------------|-----------------|--------------------|
| VOLTS       | INTERCONNECT:   | CONNECT LINES TO : |
| 240         | H1-H3 AND H2-H4 | H1-H4              |
| 480         | H2-H3           | H1-H4              |
| SECONDARY : |                 |                    |
| VOLTS       | INTERCONNECT:   | CONNECT LINES TO : |
| 120         | X1-X3 AND X2-X4 | X1-X4              |
| 240         | X2-X3           | X1-X4              |



### DIMENSIONS INCHES / MM

| VA   | A             | B             | C             | D             | E             | MOUNTING HOLES INCHES / MM | SHIP WEIGHT LBS / KG |
|------|---------------|---------------|---------------|---------------|---------------|----------------------------|----------------------|
| 2000 | 7.50<br>190.5 | 6.25<br>158.8 | 7.75<br>196.9 | 4.50<br>114.3 | 6.75<br>171.5 | 0.31 x 0.688<br>7.9 x 17.5 | 39.0<br>17.8         |

Notes:



# MARCUS

Marcus Transformer LTD  
 Phone: 1-800-267-7376  
 Fax: 1-866-205-7526  
 Email: Info@marcustransformer.com

## TECHNICAL DATA

SINGLE PHASE CONTROL TRANSFORMER

| DESCRIPTION       |   |
|-------------------|---|
| MODEL             | MO2KH                                     |
| Type              | Open                                      |
| VA                | 2000                                      |
| Primary (Volts)   | 347 / 380                                 |
| Secondary (Volts) | 120 / 240                                 |
| Input Amps        | 5.76 / 5.26                               |
| Output Amps       | 16.67 / 8.33                              |
| Temperature Rise  | 100°C                                     |
| Insulation Class  | F (155°C)                                 |
| Frequency         | 50 / 60Hz                                 |
| Polarity          | additive                                  |
| Noise level       | less than 40DB                            |
| Winding           | Copper                                    |
| Approvals         | CE compliant<br>UL listed<br>CSA approved |

| Primary Tabs |    |     |     |  |  |  |  |
|--------------|----|-----|-----|--|--|--|--|
| Pos.         | H1 | H2  | H3  |  |  |  |  |
| Volts        | 0V | 347 | 380 |  |  |  |  |

**CONNECTION DIAGRAM**

### WIRING CONNECTION

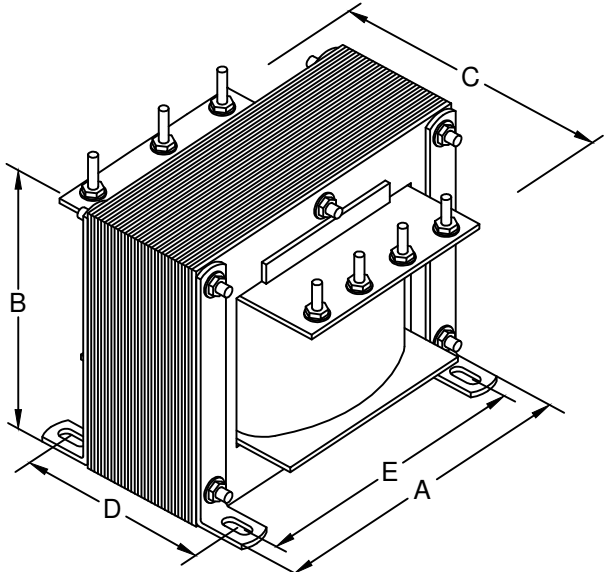
| PRIMARY : |                    |  |
|-----------|--------------------|--|
| VOLTS     | CONNECT LINES TO : |  |
| 347       | H1-H2              |  |
| 380       | H1-H3              |  |

| SECONDARY : |                 |                    |
|-------------|-----------------|--------------------|
| VOLTS       | INTERCONNECT:   | CONNECT LINES TO : |
| 120         | X1-X3 AND X2-X4 | X1-X4              |
| 240         | X2-X3           | X1-X4              |

### DIMENSIONS INCHES / MM

| VA   | A             | B             | C             | D             | E             | MOUNTING HOLES INCHES / MM | SHIP WEIGHT LBS / KG |
|------|---------------|---------------|---------------|---------------|---------------|----------------------------|----------------------|
| 2000 | 7.50<br>190.5 | 6.25<br>158.8 | 7.75<br>196.9 | 4.50<br>114.3 | 6.75<br>171.5 | 0.31 x 0.688<br>7.9 x 17.5 | 39.0<br>17.8         |



Notes:



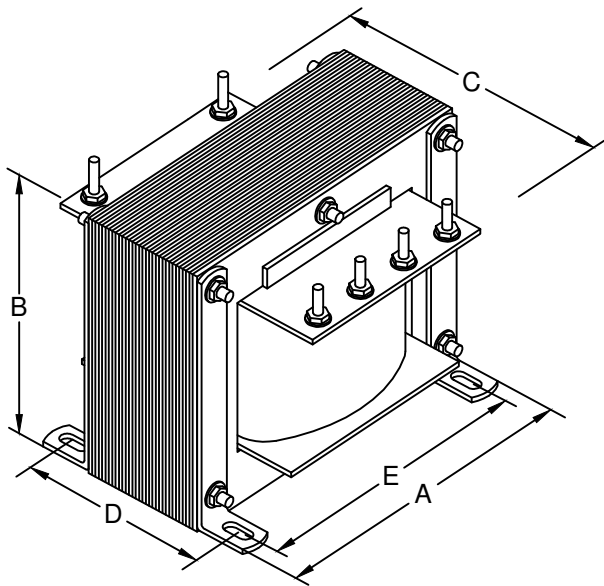
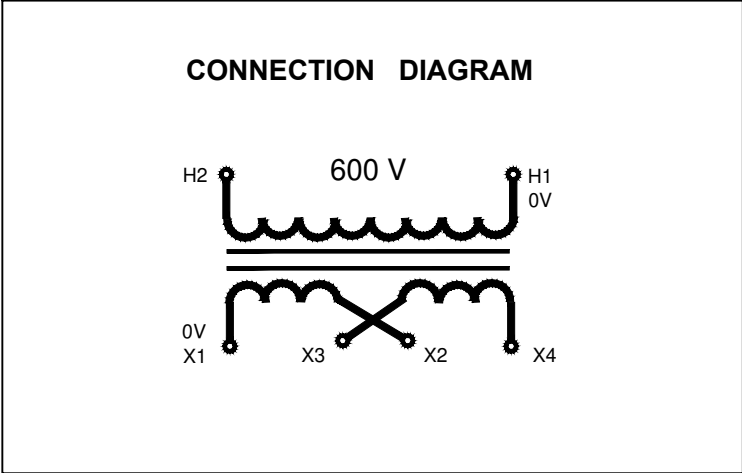
# MARCUS

Marcus Transformer LTD  
 Phone: 1-800-267-7376  
 Fax: 1-866-205-7526  
 Email: Info@marcustransformer.com

## TECHNICAL DATA SINGLE PHASE CONTROL TRANSFORMER

### DESCRIPTION

|                   |   |
|-------------------|---|
| MODEL             | MO2KI                                     |
| Type              | Open                                      |
| VA                | 2000                                      |
| Primary (Volts)   | 600                                       |
| Secondary (Volts) | 120 / 240                                 |
| Input/Output Amps | 3.33 / 16.67 , 8.33                       |
| Temperature Rise  | 100°C                                     |
| Insulation Class  | F (155°C)                                 |
| Frequency         | 60Hz                                      |
| Polarity          | additive                                  |
| Noise level       | less than 40DB                            |
| Winding           | Copper                                    |
| Approvals         | CE compliant<br>UL listed<br>CSA approved |



### WIRING CONNECTION

|                                |  |  |
|--------------------------------|--|--|
| PRIMARY :                      |  |  |
| VOLTS<br>600                   | CONNECT LINES TO :<br>H1-H2                        |  |
| SECONDARY :                    |  |  |
| VOLTS<br>120<br>240<br>120/240 | INTERCONNECT:<br>X1-X3 AND X2-X4<br>X2-X3<br>X2-X3 | CONNECT LINES TO :<br>X1-X4<br>X1-X4<br>X1-X3-X4 |

### DIMENSIONS INCHES / MM

| VA   | A             | B             | C             | D             | E             | MOUNTING HOLES INCHES / MM | SHIP WEIGHT LBS / KG |
|------|---------------|---------------|---------------|---------------|---------------|----------------------------|----------------------|
| 2000 | 7.50<br>190.5 | 6.25<br>158.8 | 7.75<br>196.9 | 4.50<br>114.3 | 6.75<br>171.5 | 0.31 x 0.688<br>7.9 x 17.5 | 39.0<br>17.8         |

Notes:



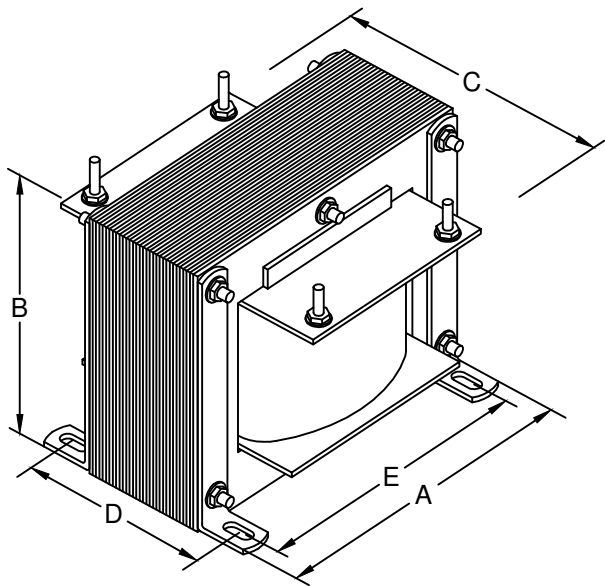
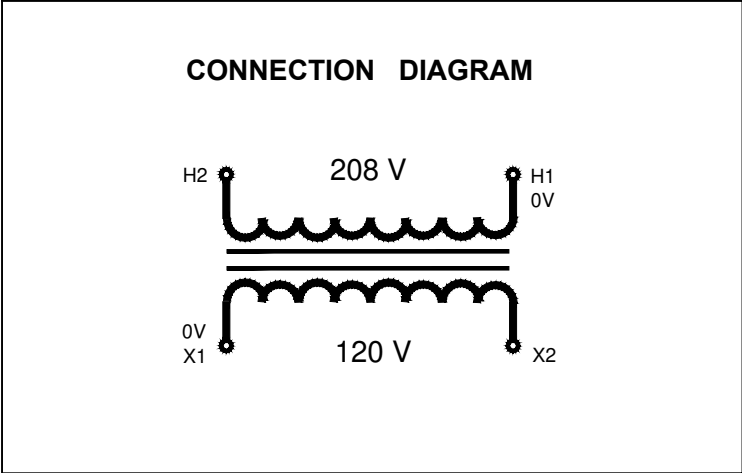
# MARCUS

Marcus Transformer LTD  
 Phone: 1-800-267-7376  
 Fax: 1-866-205-7526  
 Email: Info@marcustransformer.com

## TECHNICAL DATA

SINGLE PHASE CONTROL TRANSFORMER

| DESCRIPTION        |   |
|--------------------|---|
| MODEL              | MO2KK                                     |
| Type               | Open                                      |
| VA                 | 2000                                      |
| Primary (Volts)    | 208                                       |
| Secondary (Volts)  | 120                                       |
| Input /Output Amps | 9.62 / 16.67                              |
| Temperature Rise   | 100°C                                     |
| Insulation Class   | F (155°C)                                 |
| Frequency          | 60Hz                                      |
| Polarity           | additive                                  |
| Noise level        | less than 40DB                            |
| Winding            | Copper                                    |
| Approvals          | CE compliant<br>UL listed<br>CSA approved |



### WIRING CONNECTION

| PRIMARY :    |                             |
|--------------|-----------------------------|
| VOLTS<br>208 | CONNECT LINES TO :<br>H1-H2 |
| SECONDARY :  |                             |
| VOLTS<br>120 | CONNECT LINES TO :<br>X1-X2 |

### DIMENSIONS INCHES / MM

| VA   | A             | B             | C             | D             | E             | MOUNTING HOLES INCHES / MM | SHIP WEIGHT LBS / KG |
|------|---------------|---------------|---------------|---------------|---------------|----------------------------|----------------------|
| 2000 | 7.50<br>190.5 | 6.25<br>158.8 | 7.75<br>196.9 | 4.50<br>114.3 | 6.75<br>171.5 | 0.31 x 0.688<br>7.9 x 17.5 | 39.0<br>17.8         |

Notes:



# MARCUS

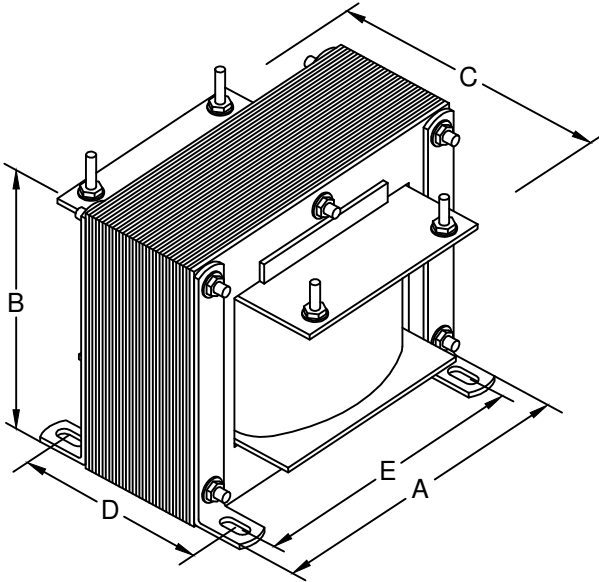
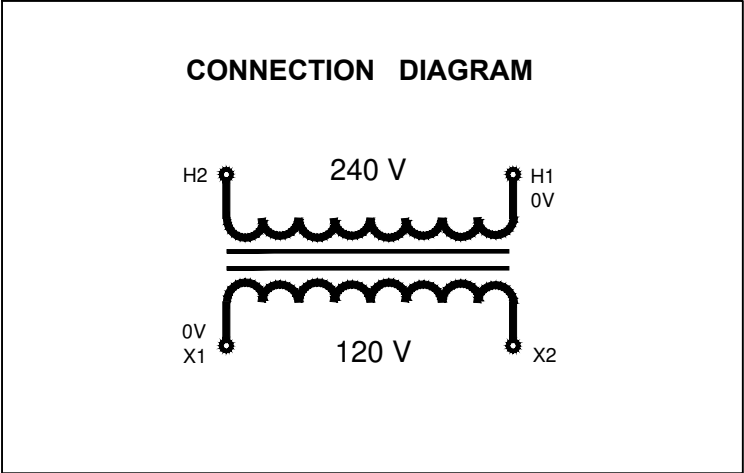
Marcus Transformer LTD  
 Phone: 1-800-267-7376  
 Fax: 1-866-205-7526  
 Email: Info@marcustransformer.com

## TECHNICAL DATA

SINGLE PHASE CONTROL TRANSFORMER

### DESCRIPTION

|                   |   |
|-------------------|---|
| MODEL             | MO2KL                                     |
| Type              | Open                                      |
| VA                | 2000                                      |
| Primary (Volts)   | 240                                       |
| Secondary (Volts) | 120                                       |
| Input/Output Amps | 8.33 / 16.67                              |
| Temperature Rise  | 100°C                                     |
| Insulation Class  | F (155°C)                                 |
| Frequency         | 60Hz                                      |
| Polarity          | additive                                  |
| Noise level       | less than 40DB                            |
| Winding           | Copper                                    |
| Approvals         | CE compliant<br>UL listed<br>CSA approved |



### WIRING CONNECTION

|              |                             |
|--------------|-----------------------------|
| PRIMARY :    |                             |
| VOLTS<br>240 | CONNECT LINES TO :<br>H1-H2 |
| SECONDARY :  |                             |
| VOLTS<br>120 | CONNECT LINES TO :<br>X1-X2 |

### DIMENSIONS INCHES / MM

| VA   | A             | B             | C             | D             | E             | MOUNTING HOLES INCHES / MM | SHIP WEIGHT LBS / KG |
|------|---------------|---------------|---------------|---------------|---------------|----------------------------|----------------------|
| 2000 | 7.50<br>190.5 | 6.25<br>158.8 | 7.75<br>196.9 | 4.50<br>114.3 | 6.75<br>171.5 | 0.31 x 0.688<br>7.9 x 17.5 | 39.0<br>17.8         |

Notes:



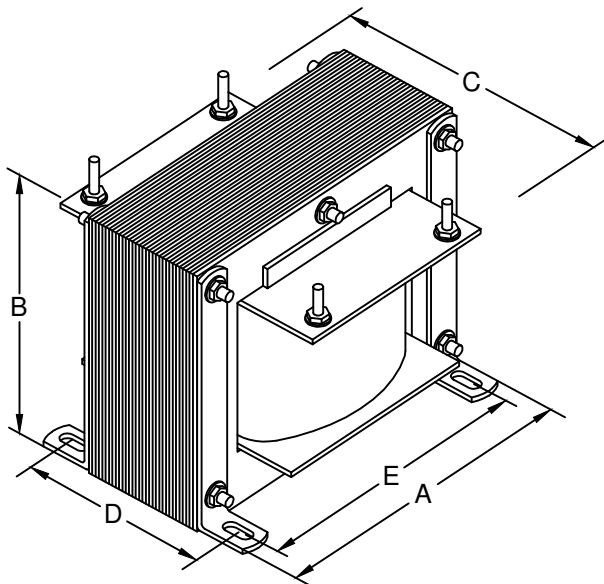
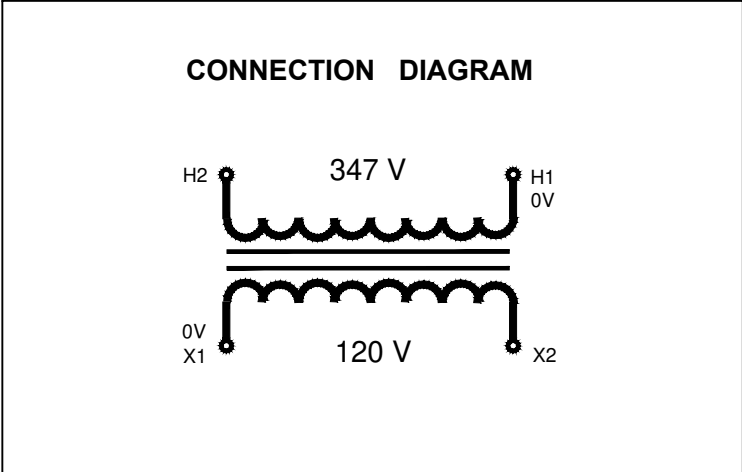
# MARCUS

Marcus Transformer LTD  
 Phone: 1-800-267-7376  
 Fax: 1-866-205-7526  
 Email: Info@marcustransformer.com

## TECHNICAL DATA

SINGLE PHASE CONTROL TRANSFORMER

| DESCRIPTION        |   |
|--------------------|---|
| MODEL              | MO2KM                                     |
| Type               | Open                                      |
| VA                 | 2000                                      |
| Primary (Volts)    | 347                                       |
| Secondary (Volts)  | 120                                       |
| Input /Output Amps | 5.76 / 16.67                              |
| Temperature Rise   | 100°C                                     |
| Insulation Class   | F (155°C)                                 |
| Frequency          | 60Hz                                      |
| Polarity           | additive                                  |
| Noise level        | less than 40DB                            |
| Winding            | Copper                                    |
| Approvals          | CE compliant<br>UL listed<br>CSA approved |



### WIRING CONNECTION

| PRIMARY :    |                             |
|--------------|-----------------------------|
| VOLTS<br>347 | CONNECT LINES TO :<br>H1-H2 |
| SECONDARY :  |                             |
| VOLTS<br>120 | CONNECT LINES TO :<br>X1-X2 |

### DIMENSIONS INCHES / MM

| VA   | A             | B             | C             | D             | E             | MOUNTING HOLES INCHES / MM | SHIP WEIGHT LBS / KG |
|------|---------------|---------------|---------------|---------------|---------------|----------------------------|----------------------|
| 2000 | 7.50<br>190.5 | 6.25<br>158.8 | 7.75<br>196.9 | 4.50<br>114.3 | 6.75<br>171.5 | 0.31 x 0.688<br>7.9 x 17.5 | 39.0<br>17.8         |

Notes:



# MARCUS

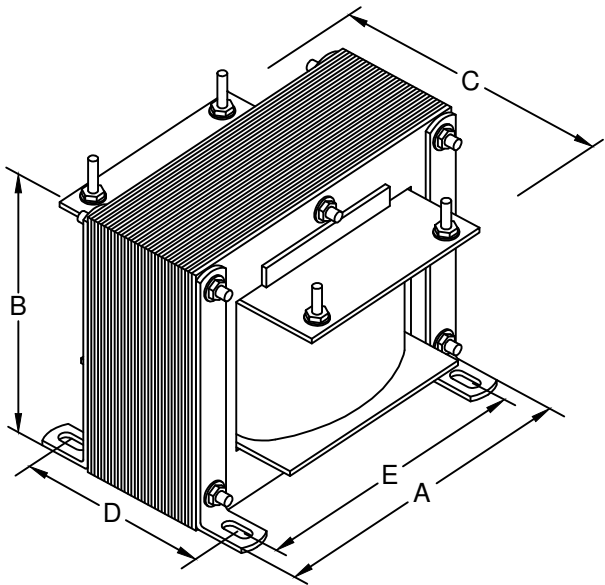
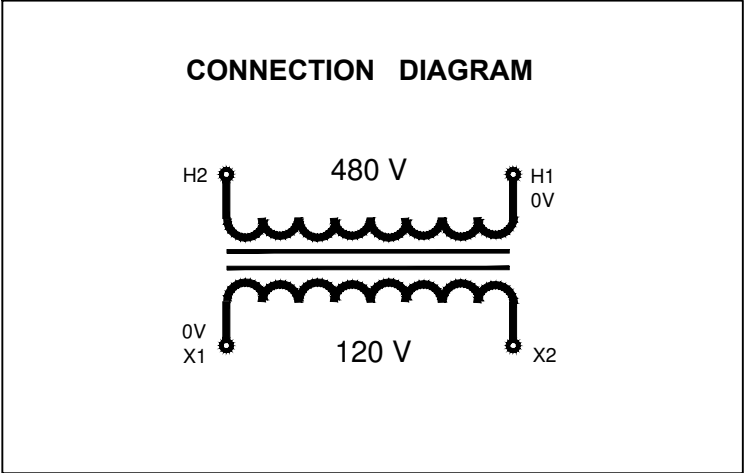
Marcus Transformer LTD  
 Phone: 1-800-267-7376  
 Fax: 1-866-205-7526  
 Email: Info@marcustransformer.com

## TECHNICAL DATA

SINGLE PHASE CONTROL TRANSFORMER

### DESCRIPTION

|                    |   |
|--------------------|---|
| MODEL              | MO2KN                                     |
| Type               | Open                                      |
| VA                 | 2000                                      |
| Primary (Volts)    | 480                                       |
| Secondary (Volts)  | 120                                       |
| Input /Output Amps | 4.17 / 16.67                              |
| Temperature Rise   | 100°C                                     |
| Insulation Class   | F (155°C)                                 |
| Frequency          | 60Hz                                      |
| Polarity           | additive                                  |
| Noise level        | less than 40DB                            |
| Winding            | Copper                                    |
| Approvals          | CE compliant<br>UL listed<br>CSA approved |



### WIRING CONNECTION

|              |                             |
|--------------|-----------------------------|
| PRIMARY :    |                             |
| VOLTS<br>480 | CONNECT LINES TO :<br>H1-H2 |
| SECONDARY :  |                             |
| VOLTS<br>120 | CONNECT LINES TO :<br>X1-X2 |

### DIMENSIONS INCHES / MM

| VA   | A             | B             | C             | D             | E             | MOUNTING HOLES INCHES / MM | SHIP WEIGHT LBS / KG |
|------|---------------|---------------|---------------|---------------|---------------|----------------------------|----------------------|
| 2000 | 7.50<br>190.5 | 6.25<br>158.8 | 7.75<br>196.9 | 4.50<br>114.3 | 6.75<br>171.5 | 0.31 x 0.688<br>7.9 x 17.5 | 39.0<br>17.8         |

Notes:



# MARCUS

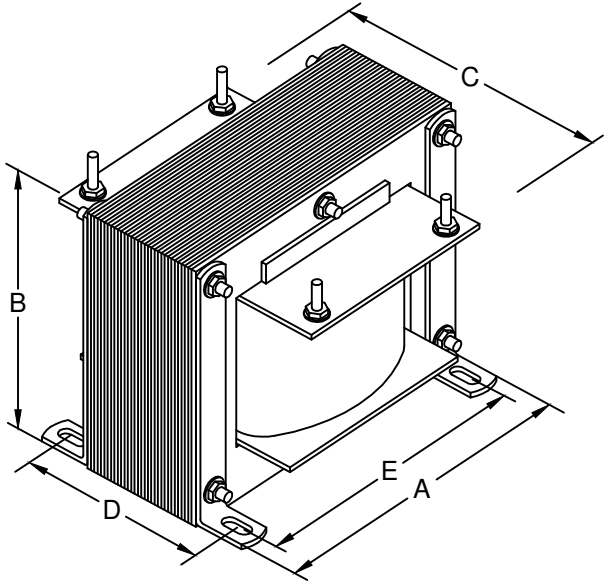
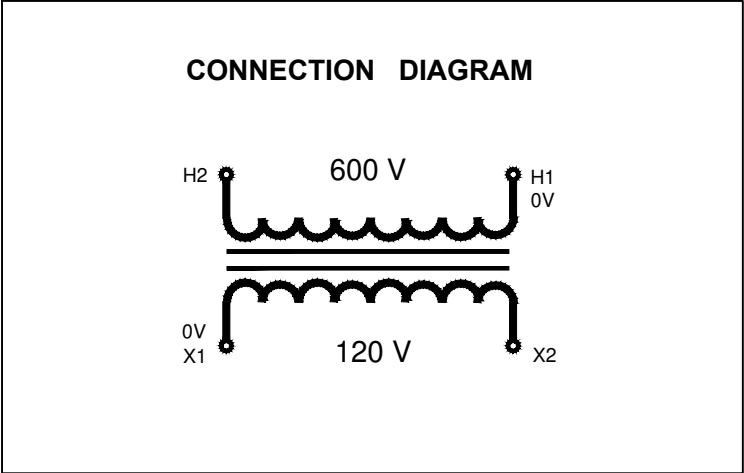
Marcus Transformer LTD  
 Phone: 1-800-267-7376  
 Fax: 1-866-205-7526  
 Email: Info@marcustransformer.com

## TECHNICAL DATA

SINGLE PHASE CONTROL TRANSFORMER

### DESCRIPTION

|                    |   |
|--------------------|---|
| MODEL              | MO2KO                                     |
| Type               | Open                                      |
| VA                 | 2000                                      |
| Primary (Volts)    | 600                                       |
| Secondary (Volts)  | 120                                       |
| Input /Output Amps | 3.33 / 16.67                              |
| Temperature Rise   | 100°C                                     |
| Insulation Class   | F (155°C)                                 |
| Frequency          | 60Hz                                      |
| Polarity           | additive                                  |
| Noise level        | less than 40DB                            |
| Winding            | Copper                                    |
| Approvals          | CE compliant<br>UL listed<br>CSA approved |



### WIRING CONNECTION

|              |                             |
|--------------|-----------------------------|
| PRIMARY :    |                             |
| VOLTS<br>600 | CONNECT LINES TO :<br>H1-H2 |
| SECONDARY :  |                             |
| VOLTS<br>120 | CONNECT LINES TO :<br>X1-X2 |

### DIMENSIONS INCHES / MM

| VA   | A             | B             | C             | D             | E             | MOUNTING HOLES INCHES / MM | SHIP WEIGHT LBS / KG |
|------|---------------|---------------|---------------|---------------|---------------|----------------------------|----------------------|
| 2000 | 7.50<br>190.5 | 6.25<br>158.8 | 7.75<br>196.9 | 4.50<br>114.3 | 6.75<br>171.5 | 0.31 x 0.688<br>7.9 x 17.5 | 39.0<br>17.8         |

Notes: