



PNEUMATIC ROCKDRILLS

DIAMOND DRILLS

REPLACEMENT PARTS

# PHQ GLOBAL INC.

C2 1175 Appleby Line, Burlington, Ontario, Canada L7L 5H9 Phone 905-332-3271 Fax 905-332-9497 Email sales@phqglobal.com

## PHQ250 Sinker

All internal parts in PHQ250 Sinkers are also used in PHQ250 Jacklegs, Stoppers, and Quarry drills.

This Sinker Drill delivers high Penetration and strong torque.

Standard operating controls are Located on the drill backhead.

Positive lubrication with strong front end blow.

Larger mating faces between major cylinder components for longer life and less wear.

"T" Handle is spring loaded to reduce the transference of vibration from the rock drill to the drill operator's hands and arms. Lessens driller fatigue.

Front end locking steel retainer for collared steel standard.

Use with rock drill oil or grease.



## PHQ250 Sinker Drill

*PHQ's new 250 Drills have larger mating faces between major cylinder components for reduced air leakage and longer wearing life.*



Certificate: 002485 ISO 9001:2015

[www.phqglobal.com](http://www.phqglobal.com)

# PHQ250 Sinker Drill

## Features

Large mating faces on components bodies for less wear and longer life

Reduced weight for ease of handling.

### PHQ250 Sinker Specifications

## PHQ250SKM

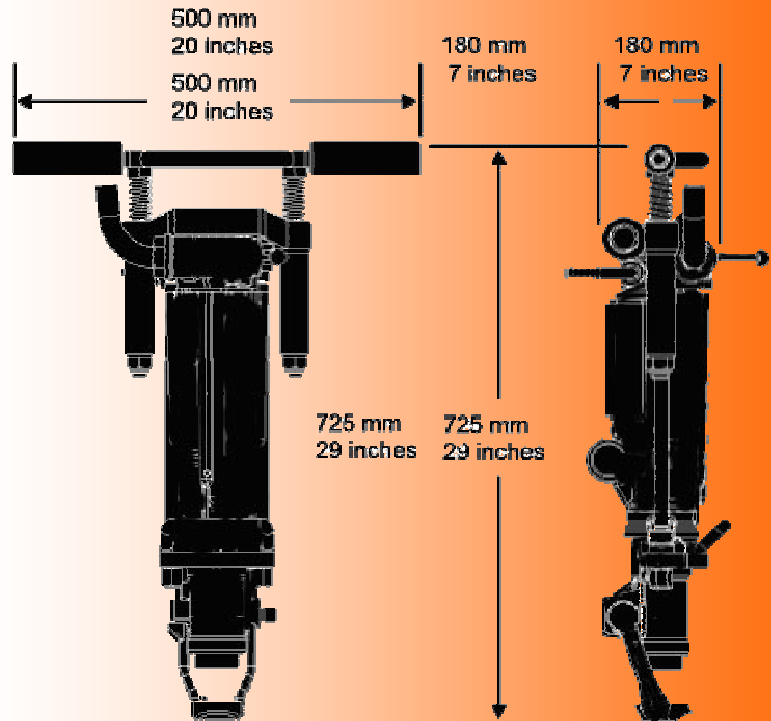
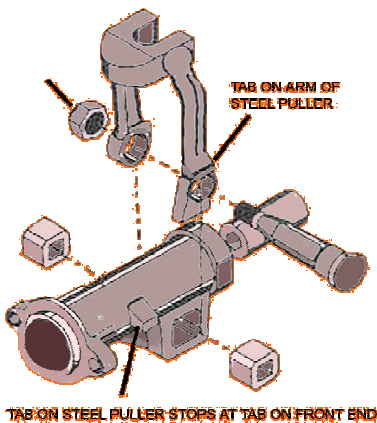
(MUFFLED)

"T" HANDLE SINKER

SHOCK AND VIBRATION  
REDUCED SPRING MOUNT

Muffled Drill weighs... 37 kg 80 lb  
Standard Drill weighs 36 kg 79 lb

#### LOCKING FRONT END



#### PHQ250 Sinker configurations:

- SKM Integral steel muffler
- SKS Standard exhaust

#### PHQ250SKM

Muffled sinker collared c/w steel retainer

PHQ carries a full range of parts  
for PHQ250 drills in stock.

All parts made in to precise  
specifications using only  
the highest quality tool steel