



PNEUMATIC ROCKDRILLS

DIAMOND DRILLS

REPLACEMENT PARTS

PARTS HEADQUARTERS INC.

1175 Appleby Line, Unit C2, Burlington, Ontario, Canada L7L 5H9 Phone 905-332-3271 Fax 905-332-9497 Email info@partshq.com

PHQ250 Stoper

All internal parts in the PHQ250 Stoppers are also used in PHQ250 Jacklegs, Sinkers and Quarry drills.

High penetration, and strong torque.

Convenient operating controls, with push button leg retraction and adjustable motorcycle control feed

Positive lubrication with good front end blow.

Larger mating faces between major cylinder components for longer life and less wear.

Improved pusher leg is available with a stainless steel piston rod to prevent corrosion and pitting.

Available with three inch stainless steel leg cylinder for increased push and penetration in hard ground.

New style steel puller for collared steel available.

Uses rock drill oil or grease.



PHQ250 Stoper

PHQ's new 250 Drills have larger mating faces between major cylinder components for reduced air leakage and longer wearing life.



ISO 9001:2000

Certificate: 002485

www.partshq.com

Features

Large mating faces on components bodies for less wear and longer life

Reduced weight for ease of handling.

PHQ250 Stoper Specifications

CYLINDER BORE

3¹/₈ inches – 79.4mm

CYLINDER STROKE

2⁷/₈ inches – 73.25mm

AIR CONSUMPTION

175cfm @90psi – 4.9cu m/m @620kPa

BLOWS PER MINUTE

2250bpm @ 90psi – 2250bpm @620kPa

SHANK SIZE - Collared

7/₈ inch x 4¹/₄ inch - 22mm x 108mm

DRILL LENGTH

Retracted – 61 inches – 1550 mm

Extended – 91 inches – 2311mm

DRILL WEIGHT – With Leg

Standard Leg 2³/₄ inch 100lb – 45.6kg

Stainless steel Leg 3 inch 94lb – 42.6kg

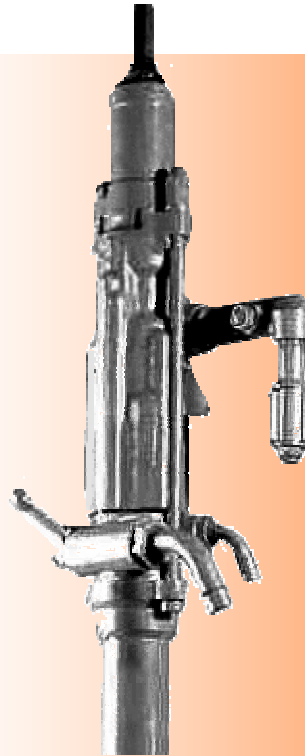
PHQ250 Stoper configurations:

- SM Integral steel muffler
- SS Standard exhaust
- AB Anvil Block
- C Collared drill steel
- SR Steel Retainer

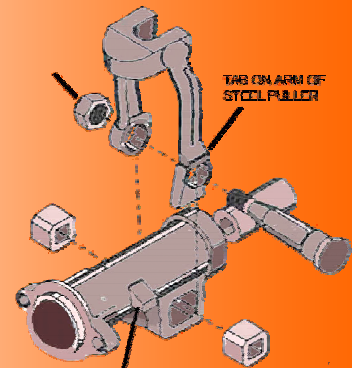
PHQ250SMCSR

Muffled stoper collared c/w steel retainer

PHQ250 Stoper



LOCKING FRONT END



TAB ON ARM OF STEEL PULLER

TAB ON STEEL PULLER STOPS AT TAB ON FRONT END



PHQ carries a full range of parts for PHQ250 drills in stock.

All parts made in Canada to precise specifications using only the highest quality tool steel