

Stay safe and be free

TUFF BUILT
PRODUCTS INC.

Exosphere All Terrain 4x4 Fall Protection Anchor System



Features

- Lightweight
- Easy, fast setup time
- Energy absorbing design

Category 20



Revolutionizing the industry 2 anchors at a time!

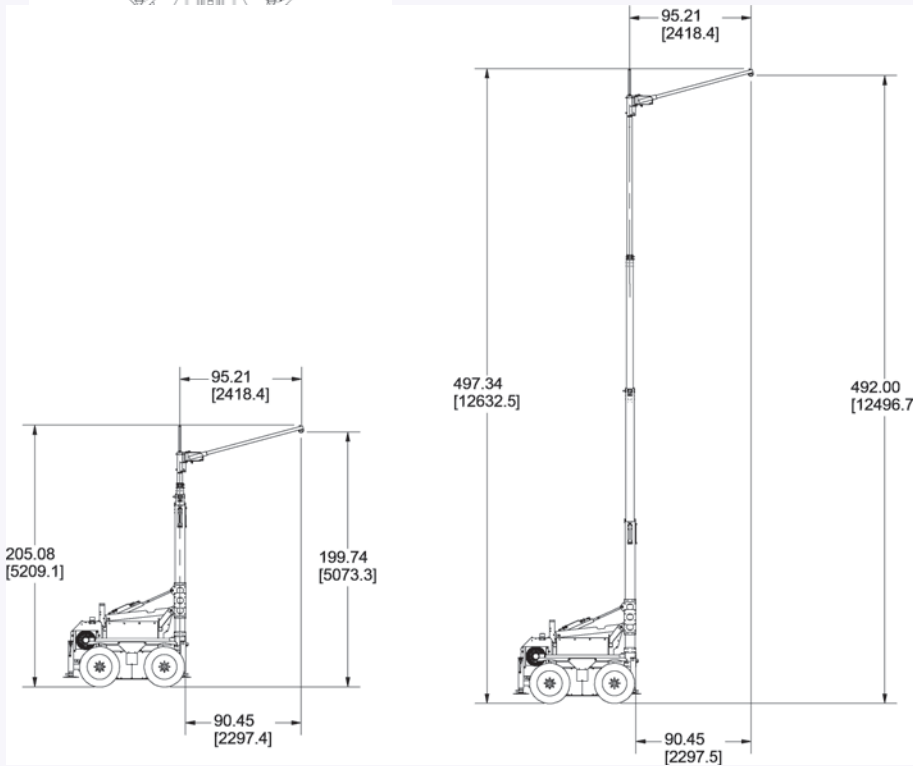
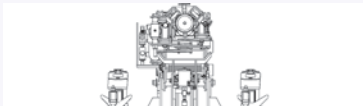
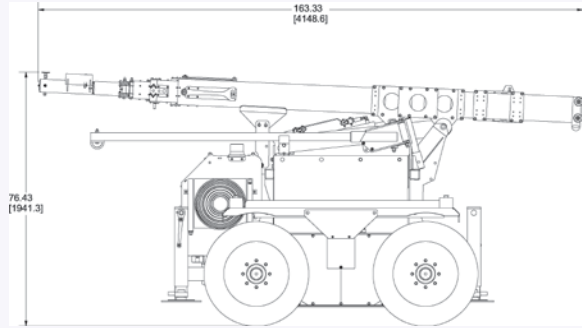
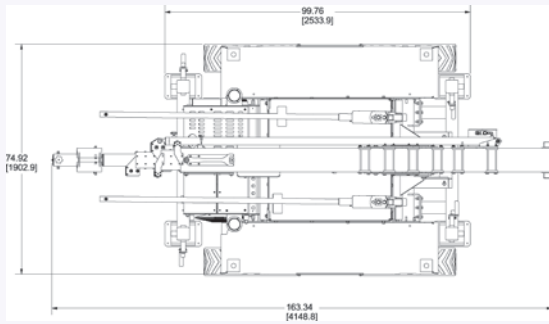
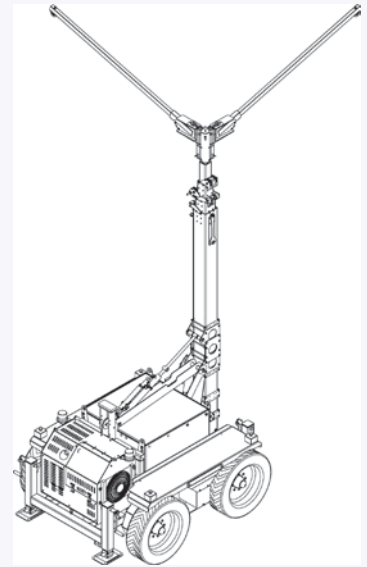
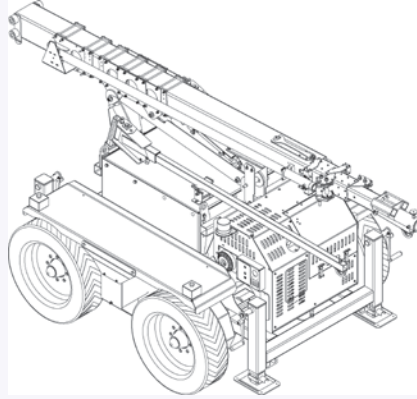
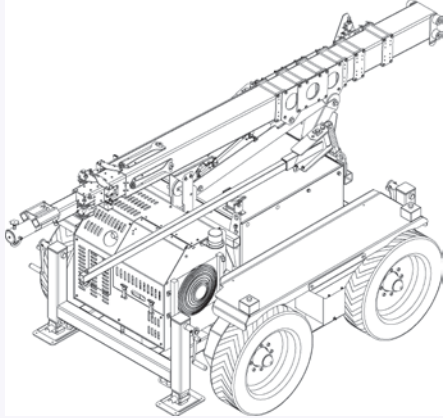


The Exosphere Anchor 4X4 All-Terrain System is the solution for workers exposed to fall arrest hazards in industries across the country, where traditional products just can not handle to job. This is a versatile system that will increase productivity, reduce lost time, and prevent injuries. All while guaranteeing the absolute highest level of fall protection.

The Exosphere Anchor 4X4 All-Terrain system is a self-contained hydraulic system that is operated via wireless (or wired) remote control. Driving, setup and Anchor height adjusting is all carried out with a simple to follow remote control.

Unprecedented 4 stage telescoping mast, adjustable 42 ft (12.8m) anchor point height and a variety of anchor options; 1-4 person, 54 inch (1.3m) to 94 inch (2.3 m). Heavy duty skid steer tire, four (4) emergency stop switches, audible warning alarm, Hi-vis strobe lights, Heavy duty leveling jacks and a manual rescue system are some of the standard features built into the Exosphere Anchor 4X4 system.

Weight: 7,400 (3,363 kg)



Pt# 70764

Other Product Categories:

1. Winches & Accessories
2. Self Retracting Lifelines & Accessories
3. Tripods & Accessories
4. Hoists, Davits & Accessories
5. Portable Bases
6. Permanent Bases
7. Pole Hoists & Horizontal Entry Systems
8. Beam Clamps & Anchor Points
9. Mobile Stair Systems with Fall Protection
10. A-Frames & Quad-Frames
11. Mobile Horizontal Rail Systems
12. Portable Anchor Points & Restricted Space Davit Systems
13. Handrailing Systems & Accessories
14. Horizontal Rail & Trolley Systems
15. Rescue Systems & Accessories
16. Portable Fall Arrest Anchor Posts
17. Tuff-Step Access Systems & Accessories
18. Exosphere Customizable Portable Fall Protection Anchor Systems
19. Exosphere Highway Trailer Fall Protection Anchor System
20. Exosphere All Terrain 4x4 Fall Protection Anchor System
21. Custom Fabrication Engineering



Mailing Address:

122 Paquin Road
Winnipeg, Manitoba, Canada
R2J 3V4



Toll Free: 1-877-422-6053
Tel: 1-204-222-4025
Fax: 1-204-222-4080
www.tuffbuiltproducts.com