



XGA46J

MOBILE ELEVATING WORK PLATFORM

Comply with ANSI/CSA



XGA46J

MOBILE ELEVATING WORK PLATFORM

FEATURES

MEASUREMENTS

16.54 m (54' 3") working height
Without Limited: 256kg (564 lb.) lift capacity
Limited: 350kg (771 lb.) lift capacity

PRODUCTIVITY

1.83 m x 0.76 m (6' x 2' 6") steel platform
4WD
Solid tire
Self-leveling platform
Hydraulic platform rotation
Fully proportional controls
Drive enable
Horn
Hour meter
Tilt alarm
Descent alarm
355° non-continuous turntable rotation
Locking turntable covers
Zero tailswing
Engine gauge package
Alarm package
Dual flashing beacons

POWER

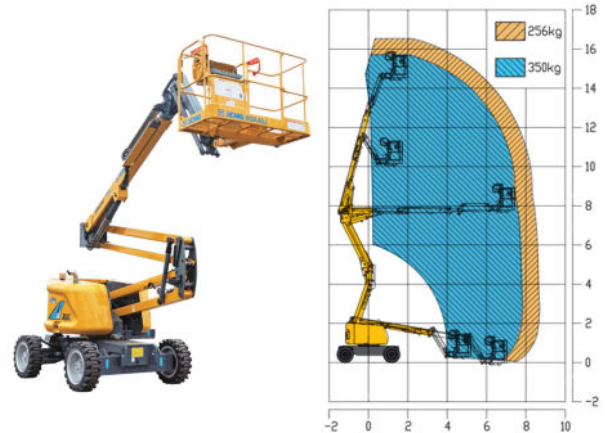
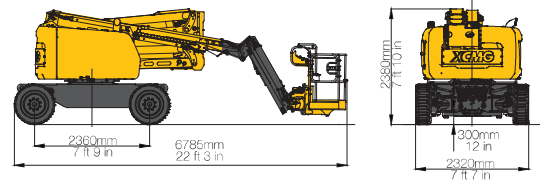
Kubota V2403-CR-E5B
37.4kw/ 2700rpm

HIGHLIGHT

- Multi-directional precise positioning up, down and across functions as well as excellent stretch functions.
- Electrical system adopts a distributed PLC control technology, adaptive proportional valve control method, make the product environment adaptability with lead.
- Full hydraulic drive, turntable 355 ° discontinuous free rotation.
- Compact and flexible, convenient for container transportation.

OPTIONS

Power supply to platform
Compressed air line to platform
Anti-impact bracket for platform
Rough terrain foam-filled tires



MAIN PARAMETER

Item	Metric	Imperial
Overall dimensions (L x W x H)	6.785m x 2.32m x 2.38m	22 ft 3 in x 7 ft 7 in x 7 ft 10 in
Working platform overall dimensions	1.83 m x 0.76 m x 1.15 m	6 ft x 2 ft 6 in x 3 ft 9 in
Maximum speed	5.5km/h	3.4 mph
Maximum theoretical gradeability	45%	45%
Minimum external turning radius	4.7m	15 ft 5 in
Ground clearance (center)	0.3m	12 in
Wheel base	2.36m	7 ft 9 in
Total machine weight	7600kg	16755 lbs
Maximum working height	16.54m	54 ft 3 in
Maximum platform height	14.54m	47 ft 8 in
Maximum working range	8.67m	28 ft 5 in
Maximum net spanning height	7.7m	25 ft 3 in
Luffing scope of Boom No. 1	2°~71°	2°~71°
Luffing scope of Boom No. 2	-10°~75°	-10°~75°
Luffing scope of crank arm	-60°~70°	-60°~70°
Platform slewing	160°	160°
Turntable slewing angle	355° discontinuous slewing	355° discontinuous slewing
Maximum load	256kg without limit / 350kg with limit	564lbs without limit / 771lbs with limit
Maximum rearward slewing	0m	0 ft
Control system	12V DC proportional control	12V DC proportional control
Emergency control unit	12V DC battery	12V DC battery
Tire	33x12-20/7.5 solid tire (optional fill off-road tire)	33x12-20/7.5 solid tire (optional fill off-road tire)
Weight detection	Standard configuration	Standard configuration
Axle balance system	Standard configuration	Standard configuration
Platform lowering speed	0.1m/s~ 0.3m/s	0.22mph~0.67mph
Telescopic speed of Boom No 2	0.1m/s~ 0.2m/s	0.22mph~0.44mph
Slewing speed	0.5 ~ 1 rpm	0.5 ~ 1 rpm
Engine model	Kubota V2403-CR-E5B	Kubota V2403-CR-E5B
Engine rated power	37.4kw/ 2700rpm	50 .8hp / 2600rpm