

The XTF1256K comes with every feature you expect from a telehandler in its tonnage.

The $\pm 10^\circ$ frame leveling system and superior off-road capability provide excellent mobility in harsh environments.

Powered by a reliable 130.1 hp Cummins engine, you can count on it to finish tough jobs in any operating conditions. When it comes to efficiency, versatility is a critical factor. That's why the machine is compatible with multiple attachments that can be installed with its hydraulic quick coupler. You will make full use of every second on the jobsite.





High performance, high efficiency

A Superior Model with Passionate Design

Developed with the concepts of “Safe, Reliable, Efficient, Comfortable” in mind, the XTF1256K telehandler is productive, versatile, and cost effective.

- Cummins QSF3.8 Tier 4F engine. Full-authority electronic controls and industry-standard data links make it easier to electronically integrate the QSF3.8 with equipment, as well as track engine performance data and perform routine servicing on this engine. A wastegated turbocharger from Cummins Turbo Technologies is simple and robust in design.
- XTF1256K is a multi-purpose telehandler that integrates flexibility, efficiency and ease of use.



Operational Comfort



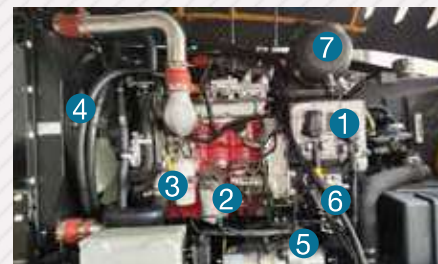
Easy Access for Maintenance



- 1 Air conditioner
- 2 Backup camera
- 3 Instrument cluster
- 4 Emergency stop switches
- 5 Radio
- 6 Joysticks
- 7 Outrigger switches
- 8 Level switches
- 9 Control switches
- 10 Air conditioner
- 11 Charging socket
- 12 Suspension seat

One-sided Engine Maintenance

The XTF1256K offers the operator a large, comfortable workspace. The ergonomic layout of the controls, travel pedals, and adjustable wrist rests, are designed to reduce operator fatigue and increase productivity.



- 1 Controller
- 2 Fuel filter
- 3 Oil filter
- 4 Radiator
- 5 Fuel heaters
- 6 Fuel water separator
- 7 Air filters

Technical Specifications



Engine

Cummins QSF3.8 engines achieve EPA Tier 4 Final standard by combining Cummins Diesel Oxidation Catalyst with Selective Catalytic Reduction (DOC-SCR). The DOC-SCR system utilized by the QSF3.8 engines to offer a common aftertreatment solution from 75 hp to 400 hp (56 kW to 298 kW). For certain applications, Cummins QSF3.8 can also be paired with an SCR-only aftertreatment system.

Make/model	Cummins/QSF3.8/Tier 4f
Fuel/cooling	Diesel/Liquid
No. of cylinders	4
Piston displacement	3 800 cm ³ (232 in ³)
Engine rated power	97 kW (130.1 hp)/2,200 rpm
Max torque	488 N·m (359.9 ft·lb)/1,600 rpm
Bore x stroke	102 mm x 115 mm (4.02 in x 4.53 in)
Alternator	28V/70A

Transmission

Make/model	Dana/1120
No. of gear	4
Trans. low ratio	4.474
Trans. high ratio	0.565
Turbine torque	647 N·m (477.2 ft·lb)
Converter Max. output torque	2,890 N·m (21,332 ft·lb)

Hydraulic system

Main pump and main valves are supplied by Parker. The model of Main Pump is P1075 and the model of main valve is VP120.

> Tire

Tire size	14.00-24
Tire width	355 mm (14 in)
Centerline track	2,540 mm (100 in)

Environment

Noise levels comply with environmental regulations (dynamic values).

> Noise emission

Noise Level LpA	75dB(A)
Noise Level LwA	85dB(A)

Speed & traction

Unladen lifting/lowering speed	14/11s
Unladen Extension/retraction speed	18/15s
Max. design travel speed	32 Km/h (19.88 mph)
Gradeability (overload)	45°

Driving Capacity

Leveling range	±10°
Turning radius	4,300 mm (169.3 in)
Transfer mode	forward4/reverse3
Steering mode	Front/crab/4-wheel

Weight

Total vehicle curb weight	16,000 kg (35,274 lb)
Max. capacity	5,500 kg (12,125 lb)
Max.height lifting capacity	2,267 kg (4,998 lb)
Max.amplitude lifting capacity	1,587 kg (3,499 lb)

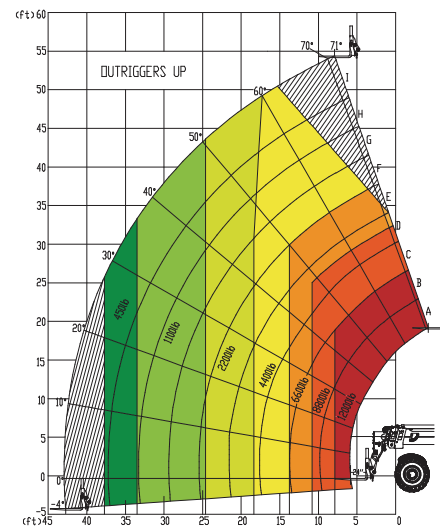
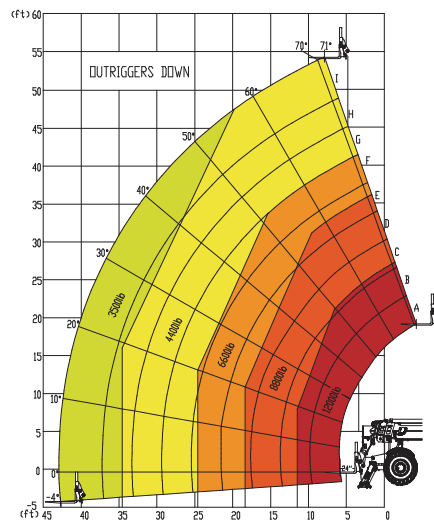
Technical Data

Wheelbase	3,490mm (137.4 in)
Ground clearance	450mm (17.7 in)
Tilting angle of fork(tip up/tip down)	-14/111°
Hydraulic system pressure	280 bar (4,061 psi)
Hydraulic oil tank volume	160L (42.33 gal)
Fuel tank volume	140L (37 gal)
Air tire	14.00

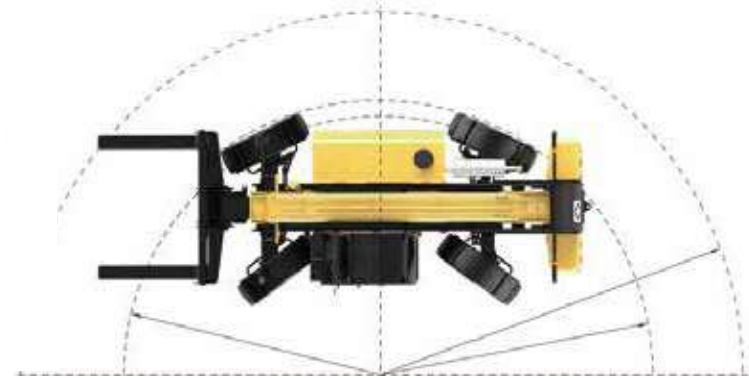
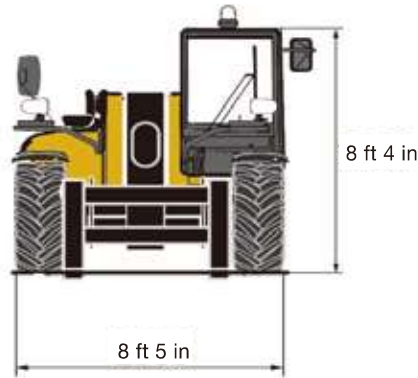
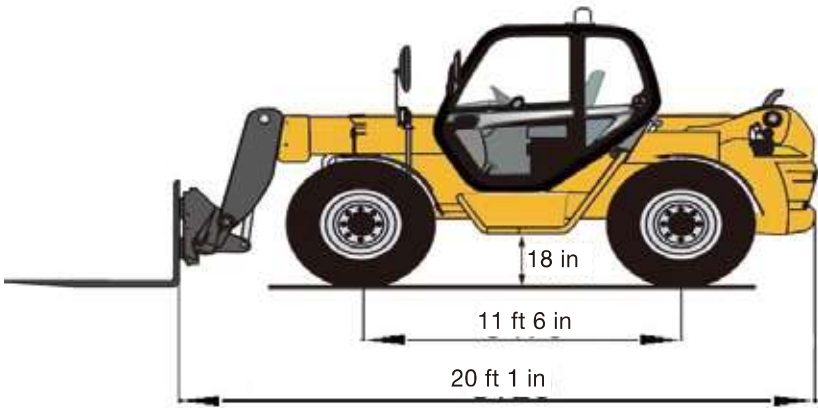
Lifting Capacities

XTF1256K

Max. capacity	5,500 kg (12,125 lb)
Max. lifting height	17,100 mm (56 ft)
Max. outreach	13,150 mm (43 ft)
Max. height lifting capacity	2,267 kg (4,998 lb)
Max. amplitude lifting capacity	1,587 kg (3,499 lb)
Unladen lifting/lowering speed	14/11s
Unladen Extension/retraction speed	18/15s



Technical Specifications



Working range

Outriggers Down

Boom Length	Lift capacity
6 ft 6 in - 11 ft 6 in (2 - 3.5 m)	12,000 lb (5,500 kg)
11 ft 6 in - 18 ft (3.5 - 5.5 m)	8,800 lb (4,000 kg)
18 ft - 24 ft 7 in (5.5 - 7.5 m)	6,600 lb (3,000 kg)
24 ft 7 in - 34 ft 6 in (7.5 - 10.5 m)	4,400 lb (2,000 kg)
34 ft 6 in - 46 ft (10.5 - 14 m)	3,500 lb (1,600 kg)

Outriggers Up

Boom Length	Lift capacity
6 ft 6 in - 11 ft 6 in (2 - 2.5 m)	12,000 lb (5,500 kg)
11 ft 6 in - 10 ft 6 in (2.5 - 3.2 m)	8,800 lb (4,000 kg)
10 ft 6 in - 13 ft 1 in (3.2 - 4 m)	6,600 lb (3,000 kg)
13 ft 1 in - 18 ft (4 - 5.5 m)	4,409 lb (2,000 kg)
18 ft - 26 ft 2 in (5.5 - 8 m)	2,200 lb (1,000 kg)
26 ft 2 in - 33 ft (8 - 10 m)	1,100 lb (500 kg)
33 ft - 37 ft 8 in (10 - 11.5 m)	450 lb (200 kg)

Dimensions

Overall width	8 ft 5 in (2,560 mm)
Overall height	8 ft 4 in (2,540 mm)
Overall length (without fork)	20 ft 1 in (6,120 mm)
Wheel base	11 ft 5 in (3,490 mm)
Ground clearance	18 in (450 mm)
Fork width	6 in (150 mm)
Fork height	2 in (60 mm)
Fork length	3 ft 11 in (1,200 mm)
Max.outreach	43 ft 2 in (13,150 mm)
Boom length	28 ft 5 in (8,661 mm)

Standard and Optional Equipment

Engine

Air cleaner with clogging indicator	●
Air cleaner with double filter element	●
Auto idle	●
Collecting cylinder engine oil filter	●
Collecting cylinder main fuel filter	●
Radiator auxiliary water tank	●
Fuel-water separator	●
Alternator	●

Hydraulic system

Control valve with LS relief valve	●
Pilot filter	●
Accumulator	●
Hydraulic oil ISO VG 46	●
Hydraulic oil ISO VG 32	○
Hydraulic oil ISO VG 68	○
Multi-mode steering valves	●
Steering priority	●
Quick coupler piping	●
Shifted block of quick coupler piping	●

Cab & interior

AM-FM radio with digital display	●
DAB bluetooth digital radio	○
All-weather steel structure cab	●
Cup holder	●
Cab lock	●
Engine key switch	●
Emergency hammer	●
Fire extinguisher bracket	●
Footrest	●
Seat	●
Openable upper front windshield	●
Removable front lower windshield	●
Tempered glass slide window	●
Windshield wiper	●
Seat belt	●
Travel pedals with detachable manual control lever	●
Coat hook	●
Air conditioner	●
Top hatch	●
Cab light	●
Rearview mirror	●
Color LCD display	●

Electrical system

Battery (1×120AH)	●
24 V electric power port	●
Engine cooling water temperature display	●
Fuel level display	●
Engine speed display	●
Working hour meter	●
Warning of engine oil pressure and overheat	●
Charge indicator	●
Engine preheat indicator	●
Two front working light on the cab (LED)	●
Two rear lights on the cab and one on the canopy	●
One working lights on the boom (LED)	●
Rotating beacon	●

Lubrication system

Centralized lubricating system of slewing bearing and angle boom cylinder	○
Self-lubricating bearings for boom	○

Safety and guards

Variable-rate valves	●
Telescopic valve	●
Frame tilting counterbalance valve	●
Parking brake	●
Service Brake	●

Standard: ●

Optional: ○

- Some of these standard or optional features may not be available for certain markets.
- Pictures may include attachments and optional equipment that are not available in your area.
- Materials and specifications are subject to change without notice.
- Please contact your local XCMG dealer for more information on availability or to customise your machine.

Optimum Services, XCMG Guaranteed



XCMG approved attachments



Genuine parts



Financial solutions



Maintenance contract



Professional Integrated Complete Solutions

XCMG group has built a strong reputation based on the quality, reliability and durability of its construction machinery. What's more, XCMG has established a service network to constantly provide its local markets with integrated and highly efficient solutions for all customers.

Full Range of Services Ready for you

In order to respond to your needs as fast as possible, XCMG experts are on their way to your job site from one of our facilities near you. Our full range of services are available in order to reduce your total cost of ownership and increase your revenue.

The available attachments include but are not limited to the following:

Hook



Winch



Workplatform



Basket



Forks



Bucket



Cylinder clamp



Log clamp

