

Techno_{sub}

INDUSTRIAL PUMPS
DEWATERING SOLUTIONS



TECHNOJET

**MH
SERIES**

HIGH-PRESSURE MULTISTAGE CENTRIFUGAL PUMPS

TECHNOJET MH SERIES

HIGH-PRESSURE MULTISTAGE CENTRIFUGAL PUMPS

Technojet multistage pumps are the best pumping solution on the market, able to overcome the difficult conditions encountered in mines. High-pressure applications, immediate delivery and customized designs make this pump the ultimate standard for the mining industry.

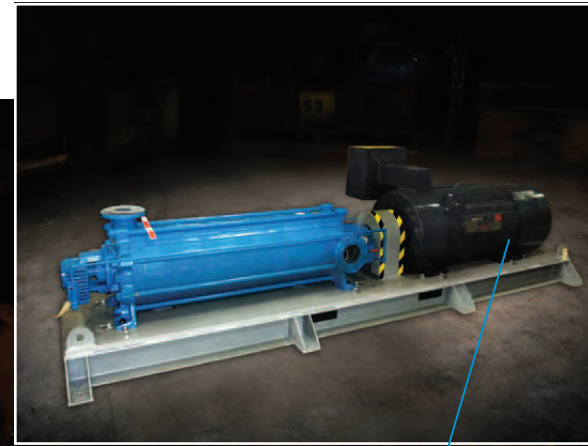
OTHER APPLICATIONS

- Water distribution systems
- Irrigation
- Pressure booster for water networks
- Boiler water recirculation

CHARACTERISTICS

- Head pressure up to 2300 feet (1000 PSI)
- Flow capacity up to 3000 gpm
- Designed to handle abrasive and corrosive liquids with up to 5% solids
- Rotating speeds: 1800 RPM & 3600 RPM

#1 CHOICE FOR HIGH-PRESSURE DEWATERING!



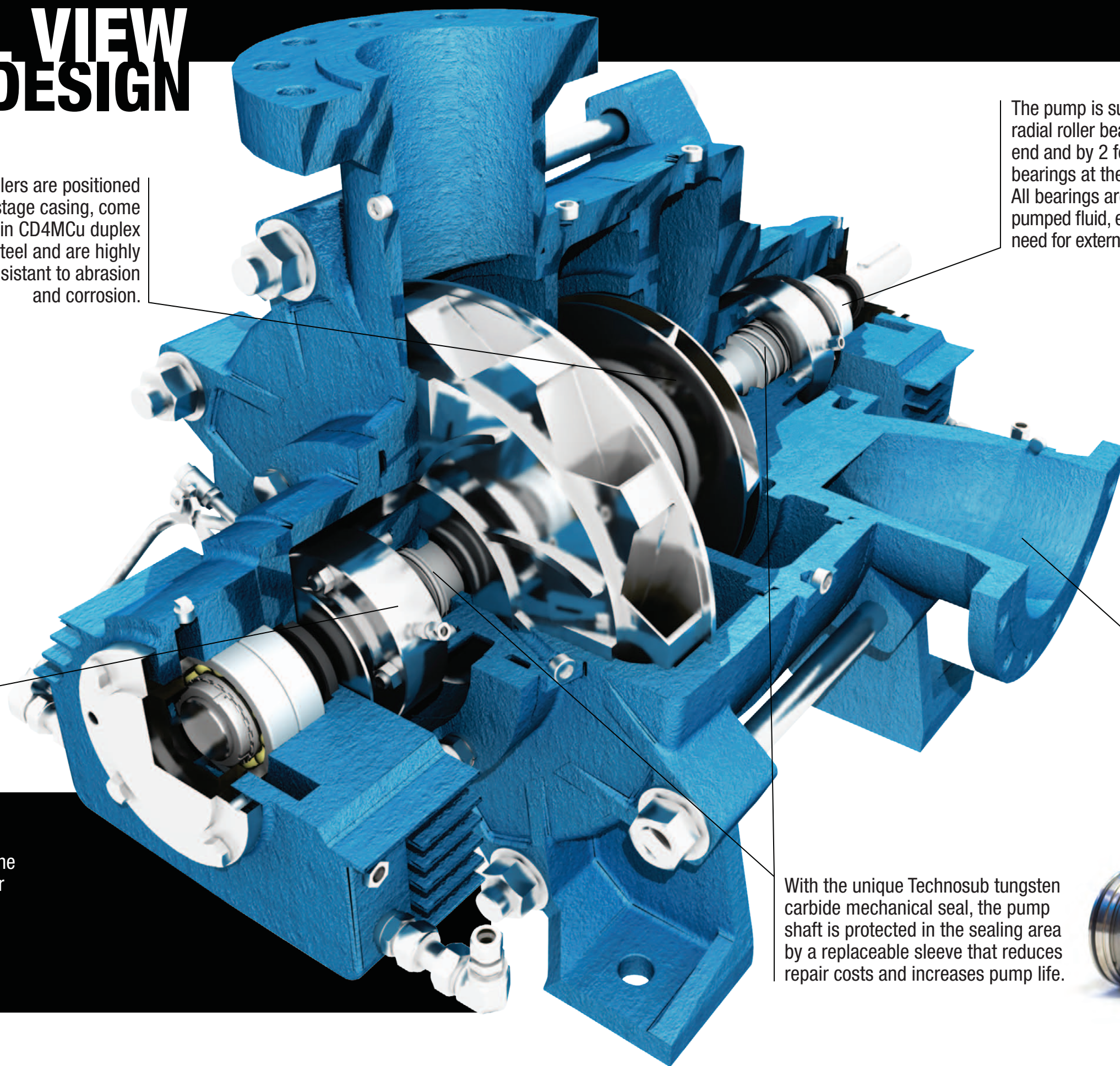
Technojet MH pump driven by **ELECTRIC MOTOR** or **DIESEL ENGINE** standardized with a flexible coupling.



SECTIONAL VIEW DESIGN



Closed impellers are positioned inside each stage casing, come standard in CD4MCu duplex stainless steel and are highly resistant to abrasion and corrosion.



The pump is supported with a radial roller bearing at the drive end and by 2 four-contact-point bearings at the non-drive end. All bearings are cooled by the pumped fluid, eliminating the need for external fresh water.

The Technojet design does not use a balancing valve like other multistage pumps, but rather a thrust bearing to handle axial loads. This increases pump longevity in the difficult conditions associated with the mining industry.

The suction is custom designed and can be configured on either the left or right hand side to match site conditions.

CONSTRUCTION MATERIALS

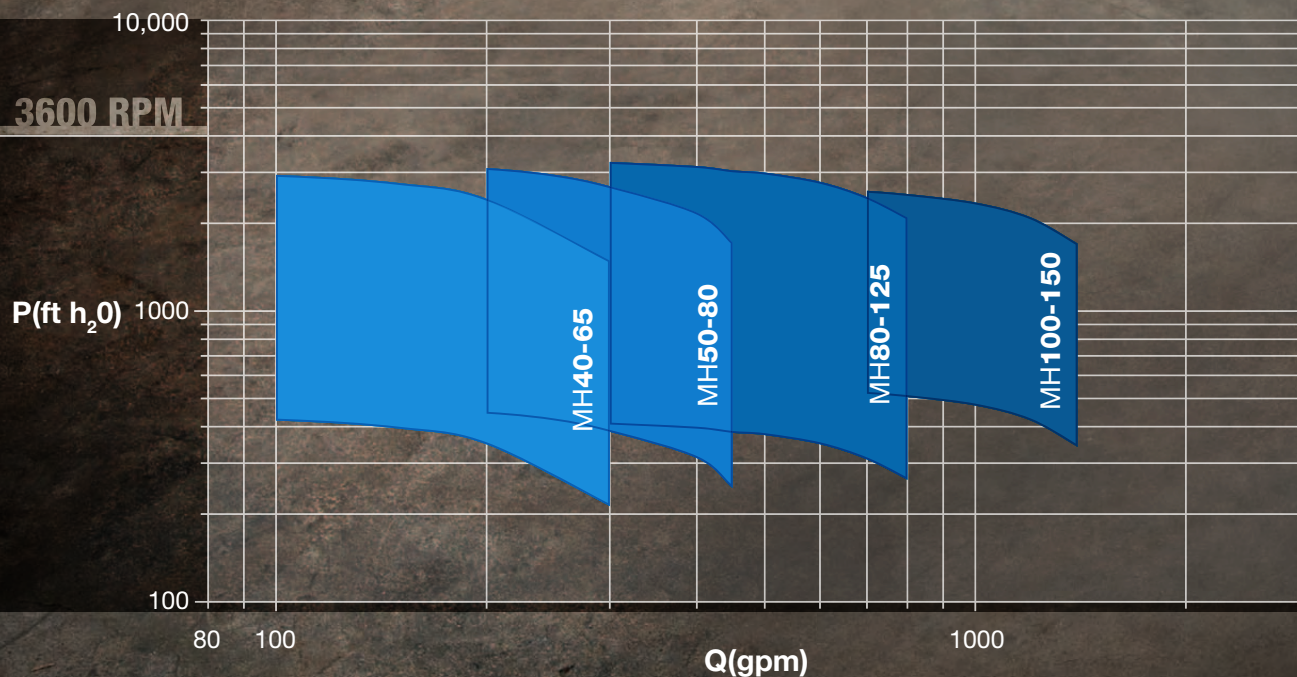
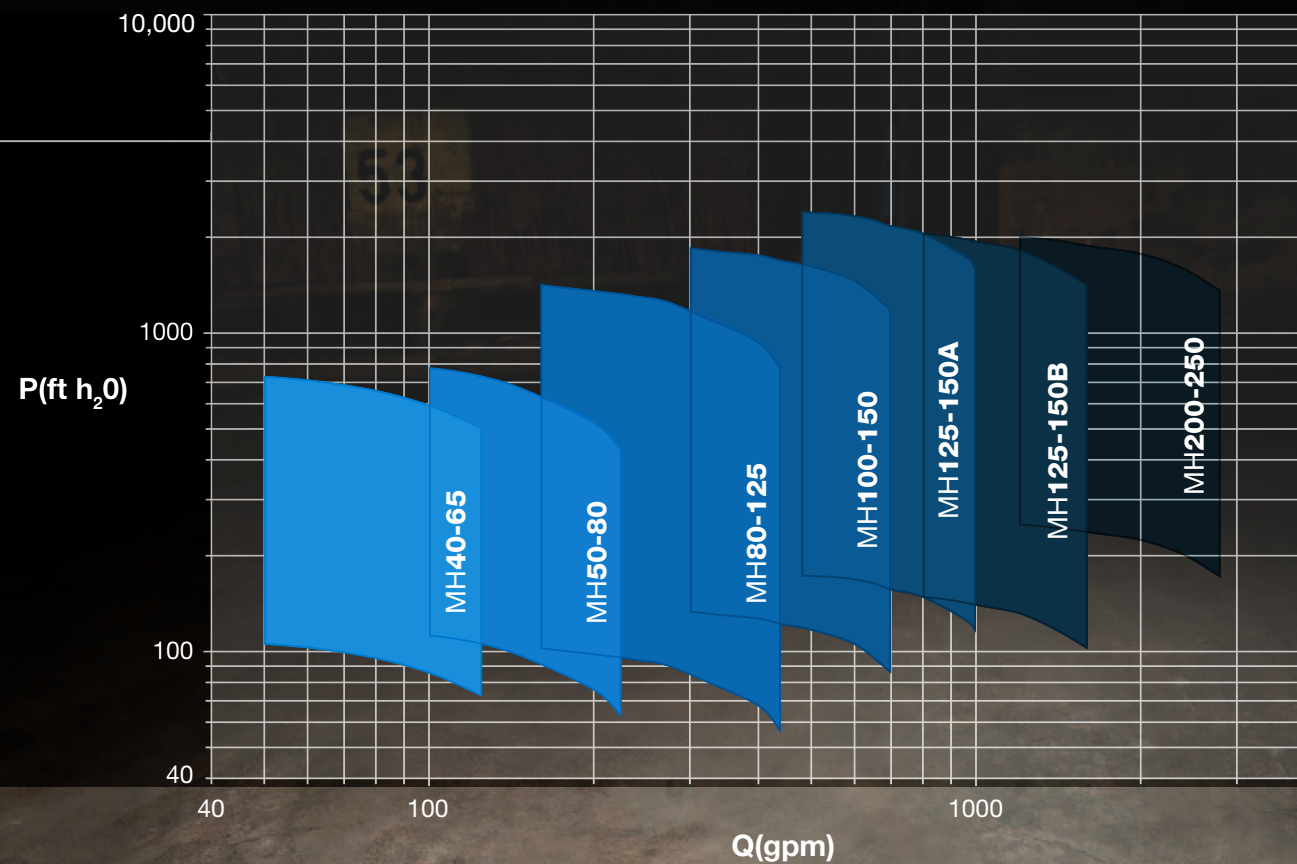
Technojet pumps can be manufactured in the following materials, depending on customer requirements.

- Cast iron
- Duplex stainless steel (CD4MCu)

With the unique Technosub tungsten carbide mechanical seal, the pump shaft is protected in the sealing area by a replaceable sleeve that reduces repair costs and increases pump life.



PERFORMANCE DATA CURVES



QUALITY ASSURANCE

From initial order to final delivery, Technosub is committed to quality in every step of its operation.

Technosub's facility is equipped with a test bench that includes a 36,000 gallon pit and a 1 megawatt generator, which allows for testing of pumps up to 800 HP and 4160 V.

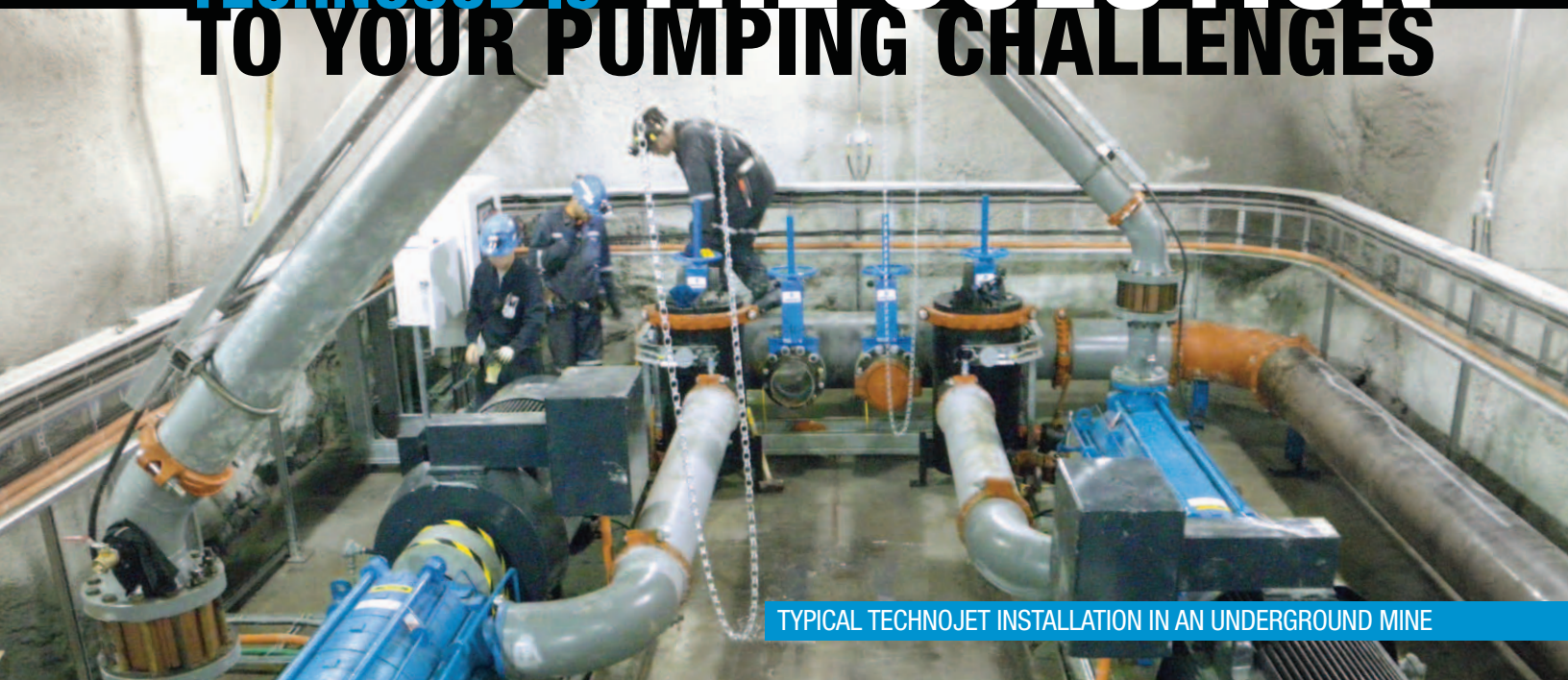
WITHOUT EXCEPTION, all pumps that leave our facility are tested to ensure their performance meets customer requirements.

All pumps are delivered with test results, including actual performance curves.

All rotating parts manufactured by Technosub are balanced with extreme precision to reduce overall vibrations, allowing for smooth operation.



TECHNOSUB IS THE SOLUTION TO YOUR PUMPING CHALLENGES



TYPICAL TECHNOJET INSTALLATION IN AN UNDERGROUND MINE

Technosub service goes beyond providing pumping solutions. Our engineers and technical representatives are always available to solve pumping challenges, at every stage of the process, anywhere, any time.

IN ADDITION TO THE TECHNOJET PUMPS, OUR TEAM CAN SUPPLY

- General arrangement drawings
- On-site assistance, solution engineering & commissioning
- Detailed drawings
- Sump designs
- Piping calculations
- Valve selection
- Control panel selection/programming
- Operating sequences
- Protection against water hammer & cavitation
- Installation methods and foundation designs

ARE YOU SUCCESS READY ?

ENTER THE CYCLE
OF SUCCESS

TECHNOSUB.NET

1156 Larivière Avenue, Rouyn-Noranda QC Canada J9X 4K8
T 819 797-3300 F 819 797-3060 info@technosub.net

Techno_{sub}

INDUSTRIAL PUMPS
DEWATERING SOLUTIONS