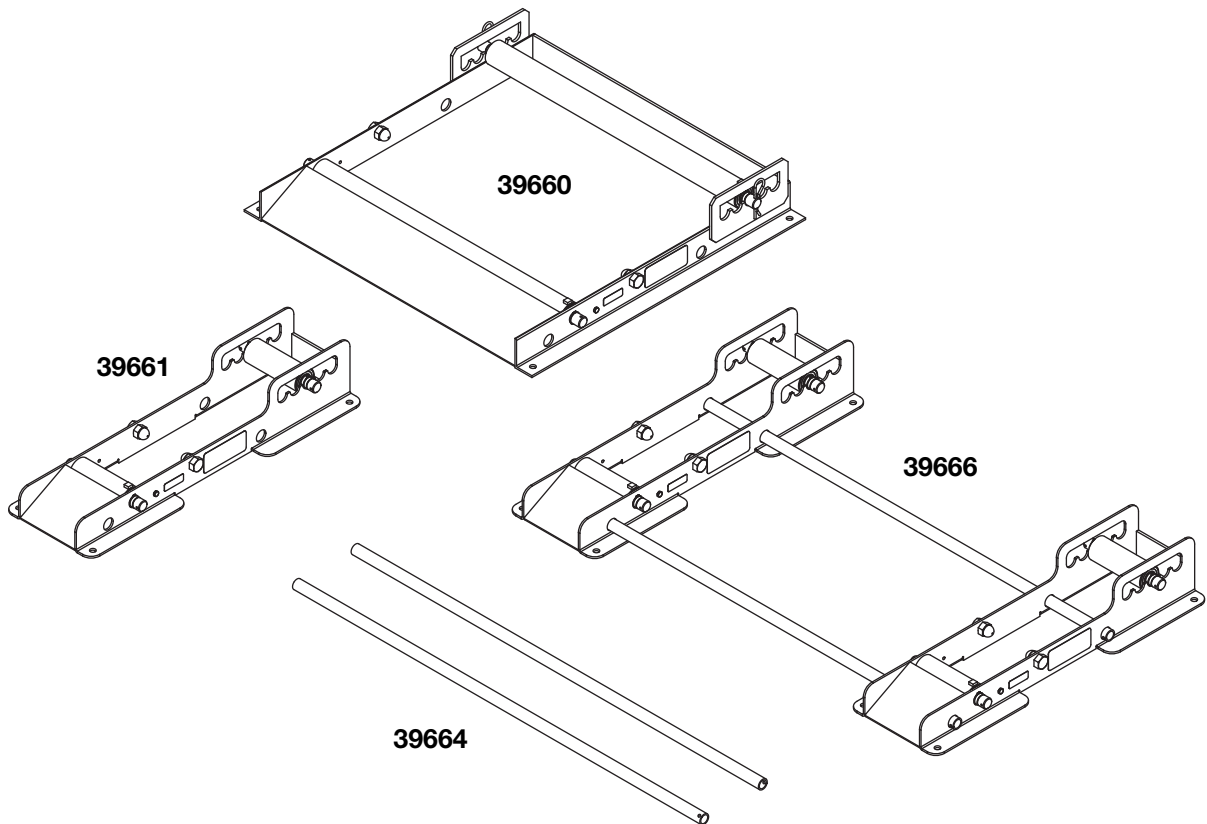


INSTRUCTION MANUAL



Reel Rollers

39660 • 39661 • 39664 • 39666



Read and understand all of the instructions and safety information in this manual before operating or servicing this tool.

Register this product at www.greenlee.com

Table of Contents

Description	2
Safety	2
Purpose of this Manual	2
Important Safety Information	3
Specifications	4
Operation.....	4
Illustration and Parts List.....	5

Description

The Greenlee 39660, 39661, 39664, and 39666 Reel Rollers are intended for ground level dispensing of cable from cable reels.

Safety

Safety is essential in the use and maintenance of Greenlee tools and equipment. This instruction manual and any markings on the tool provide information for avoiding hazards and unsafe practices related to the use of this tool. Observe all of the safety information provided.

Purpose of this Manual

This manual is intended to familiarize all personnel with the safe operation and maintenance procedures for the Greenlee 39660, 39661, 39664, and 39666 Reel Rollers.

Keep this manual available to all personnel.

Replacement manuals are available upon request at no charge at www.greenlee.com.

All specifications are nominal and may change as design improvements occur. Greenlee Textron Inc. shall not be liable for damages resulting from misapplication or misuse of its products.

KEEP THIS MANUAL

IMPORTANT SAFETY INFORMATION



SAFETY ALERT SYMBOL

This symbol is used to call your attention to hazards or unsafe practices which could result in an injury or property damage. The signal word, defined below, indicates the severity of the hazard. The message after the signal word provides information for preventing or avoiding the hazard.

⚠ **DANGER**

Immediate hazards which, if not avoided, **WILL** result in severe injury or death.

⚠ **WARNING**

Hazards which, if not avoided, **COULD** result in severe injury or death.

⚠ **CAUTION**

Hazards or unsafe practices which, if not avoided, **MAY** result in injury or property damage.



⚠ **CAUTION**

Read and understand all of the instructions and safety information in this manual before operating or servicing this tool.

Failure to observe this warning may result in severe injury or death.



⚠ **CAUTION**

Keep hands and feet clear when loading and unloading cable reels.

⚠ **CAUTION**

- Make sure bystanders are clear of the work area when loading, unloading or dispensing cable. Nearby personnel can be injured if a cable reel escapes.
- Release roller lock before dispensing cable. A heavy reel can be pulled off the rollers if the roller lock is engaged.
- Do not use the reel roller for cable with damaged reels. Damaged reels may not roll freely and may be pulled off the reel roller.
- Do not attempt to stop a rotating reel by using the roller stop. The reel may roll off the rollers.

Failure to observe these precautions may result in injury or property damage.

⚠ **CAUTION**

Do not exceed the rated capacity of this tool.

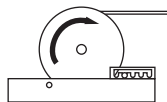
Failure to observe this precaution may result in injury or property damage.

⚠ **CAUTION**

Use this tool for manufacturer's intended use only. Use other than that which is described in this manual may result in injury or property damage.

IMPORTANT

Always engage the roller lock before removing a cable reel.



IMPORTANT

Always pull cable from the top of the reel toward the adjustable roller.

Note: Keep all decals clean and legible, and replace when necessary.

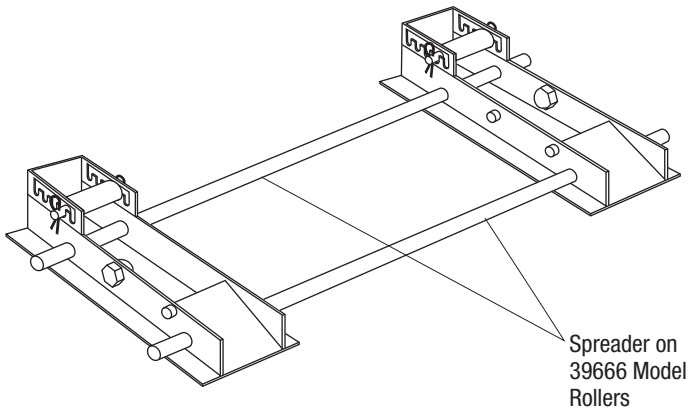
Specifications

UPC/ Cat. No.	Dimensions in (mm)	Weight lb (kg)	Capacity lb (kg)	Maximum Reel Width in (mm)	Minimum Reel Diameter in (mm)
39660	32 x 34 (813 x 864)	87 (39)	2500 (1134)	30 (762)	21 (533)
39661	32 x 11 (813 x 279)	45 (20)	2000 (907) per pair	42 (1067)	
39664	48 (1219)	9 (4)	—	—	
39666	32 x 48 (813 x 1219)	99 (45)	2000 (907)	42 (1067)	

Operation

1. Position the reel roller in the desired location.

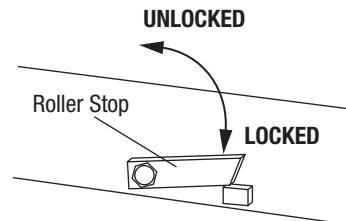
Note: Use the spreaders to align 39666 model rollers.



2. Secure the reel roller to the floor using 1/2" or 3/8" bolts.

3. Engage the roller stop.

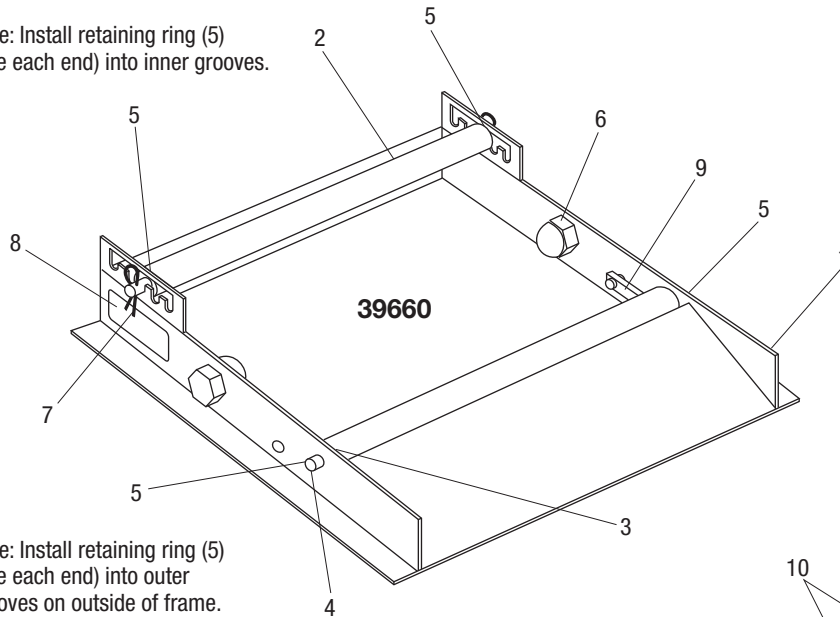
Note: The roller stop may be fastened to the left or the right side as required for the application.



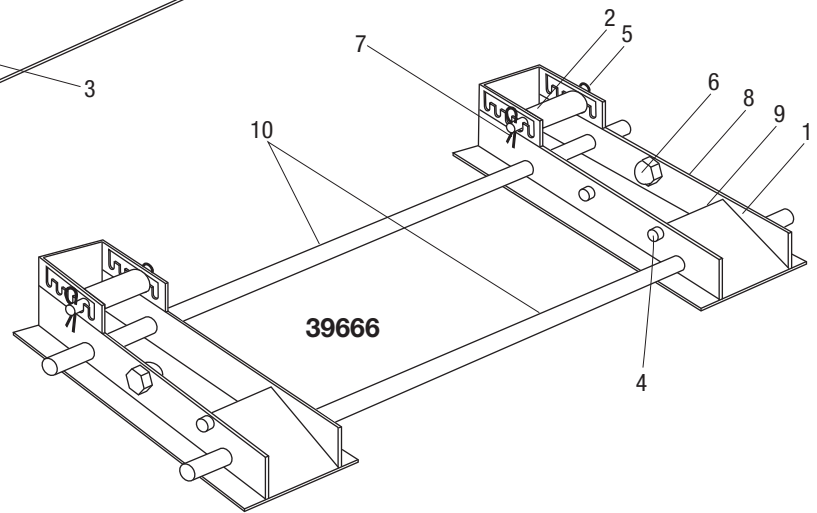
4. Place the cable reel onto the reel roller so the cable is pulled from the top of the reel toward the adjustable higher roller.
5. Disengage the roller stop and dispense the desired length of cable.
6. Engage the roller stop and remove the reel from the reel roller.

Illustration and Parts List

Note: Install retaining ring (5)
(one each end) into inner grooves.



Note: Install retaining ring (5)
(one each end) into outer
grooves on outside of frame.


39660 (30")

Key	Part No.	Description	Qty
1		Frame.....	1
2		Roller.....	2
3		Bearing.....	4
4		Spindle.....	2
5		Retaining ring, #5100-100	4
6	50396838	Acorn nut and screw.....	2
7		Hitch pin, #8.....	2
8		Product decal.....	1
9	50398849	Roller stop assembly	1

Kits

50396862 Roller assembly (includes one of items 2, 4; two of items 3, 5)

39666 (6")

Key	Part No.	Description	Qty
1		Frame.....	1
2		Roller.....	2
3		Bearing.....	4
4		Spindle.....	2
5		Retaining ring, #5100-100	4
6	50396838	Acorn nut and screw.....	1
7		Hitch pin, #8.....	2
8		Product decal.....	1
9	50398849	Roller stop assembly	1
10		Spreader	2

Kits

50396919 Roller assembly (includes one of items 2, 4; two of items 3, 5)
50396617 6" reel rollers (includes 1-9)
50396641 39664 – spreader kit



4455 Boeing Drive • Rockford, IL 61109-2988 • USA • 815-397-7070
An ISO 9001 Company • Greenlee Textron Inc. is a subsidiary of Textron Inc.
www.greenlee.com

USA Tel: 800-435-0786
Fax: 800-451-2632

Canada Tel: 800-435-0786
Fax: 800-524-2853

International Tel: +1-815-397-7070
Fax: +1-815-397-9247