

WIRELESS TENSION LINK KIT



Single or Multiple Tension Link System

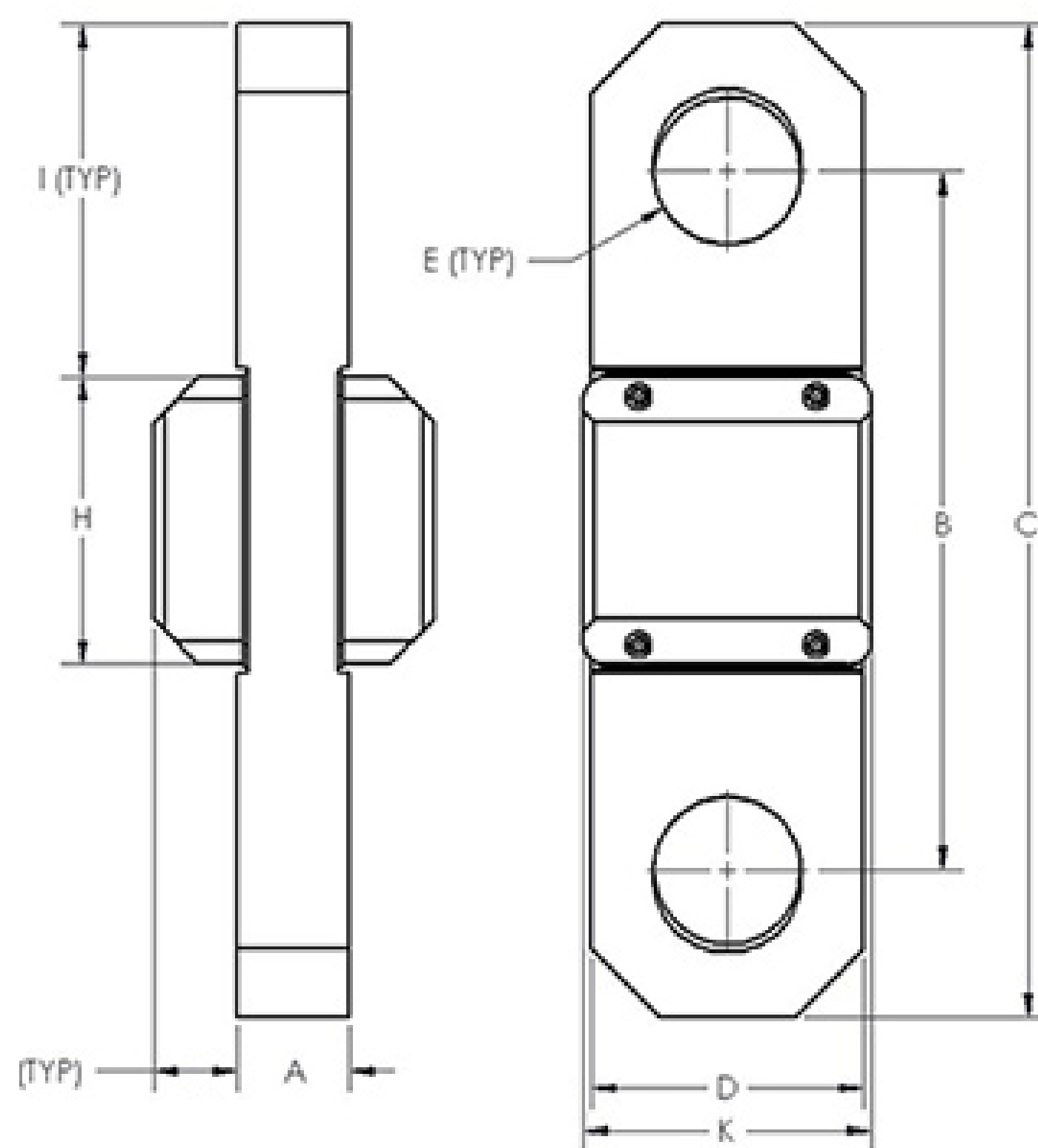
Tension Link Specification and Features

- Standard Capacity: 10K, 25K, 50K, 75K, 100K, 150K, 250K lbs
- Safe overload: 200% capacity
- Ultimate overload: 400% capacity (meets ASME 26-6)
- Accuracy: 0.1% full scale multi-point calibration
- Protection: IP 67
- Operating Temperature: -20°C to 55°C
- Compensated Operating Temperature: -10°C to 40°C
- Alloy steel with Electroless Nickel Plating
- Operates at 2.4 GHz
- Radio module FCC, CE, IC Approved
- Battery life of 2 months (2x AA, @8 hrs/day use)
- Long range of up to 800 m

Handheld Display Specification and Features

- T24-HS display 1 wireless tension link load
- T24-HA display up to 12 wireless tension load
mode: result (display summed load) option: view individual load
item (display individual load)
- LCD readout
- Sample rate: 3 updates/sec
- Antenna: Fully enclosed and protected
- Tare Function
- Sleep and wake control of tension link
- Auto shutdown
- Operating Temperature: -10°C to 50°C
- Operates at 2.4 GHz
- Radio module FCC, CE, IC Approved
- Battery life of 35 hrs (2x AA continuous use)
- Dimension: 5.98 x 3.54 x 1.33 in (152 x 90 x 34 mm)

Tension Link Dimension



All Tension Links

Capacity	A	B	C	D	E	F
10K	1.250 (31.75)	7.500 (190.50)	10.000 (254.00)	3.000 (76.20)	1.125 (28.58)	1.250 (31.75)
25K	1.250 (31.75)	7.750 (196.85)	11.000 (279.40)	3.000 (76.20)	1.625 (41.28)	1.625 (41.28)
50K	1.625 (41.28)	8.500 (215.90)	12.750 (323.85)	3.625 (92.08)	2.125 (53.98)	2.125 (53.98)
75K	1.875 (47.63)	9.375 (238.13)	14.250 (361.95)	4.500 (114.30)	2.375 (60.33)	2.438 (61.93)
100K	1.940 (49.28)	9.375 (238.13)	14.750 (374.65)	5.000 (127.00)	2.375 (60.33)	2.688 (68.28)
150K	2.438 (61.93)	11.000 (279.40)	17.500 (444.50)	6.750 (171.45)	2.875 (73.03)	3.250 (82.55)
250K	2.940 (74.68)	14.000 (355.60)	22.750 (577.85)	8.500 (215.90)	3.875 (98.43)	4.375 (111.13)

Wireless Only

H	I	J	K
3.188 (80.98)	3.406 (86.51)	0.875 (22.23)	3.188 (80.98)
3.188 (80.98)	3.906 (99.21)	0.875 (22.23)	3.188 (80.98)
3.188 (80.98)	4.781 (121.44)	0.875 (22.23)	3.188 (80.98)
3.188 (80.98)	5.159 (131.04)	1.000 (25.4)	3.188 (80.98)
3.188 (80.98)	5.781 (145.84)	1.000 (25.4)	3.188 (80.98)
3.188 (80.98)	7.156 (181.76)	1.000 (25.4)	3.188 (80.98)
3.188 (80.98)	9.781 (248.44)	1.000 (25.4)	3.188 (80.98)

Calibrated to Matching Crosby Shackle Pin Diameter

- 10K : 0.89" G-2130-4.75T
- 25K : 1.40" G-2130-12T
- 50K : 2.04" G-2130-25T
- 75K : 2.30" G-2130-35T
- 100K : 2.25" G-2140-55T
- 150K : 2.76" G-2140-85T
- 250K : 3.76" G-2130-120T



Pin diameter

APPLICATIONS

- **MINING**



- **MANUFACTURING**
- **FABRICATION**



- **AUTOMOTIVE**



- **MARINE**



- **CONSTRUCTION**

