



Electric



Model Shown G1131

- Reservoir Capacity▶ 1 gallon
- Flow @ Rated Pressure▶ 19 cu.in./min.
- Maximum Pressure▶ 10,000 psi

- ▶ Powered by a 115V - 60HZ, .5 hp universal motor (14,640 rpm).
- ▶ Low startup voltage, draws 10 amps at full load (230V models available).
- ▶ Two-speed pump operation provides fast tool performance.
- ▶ External adjustable relief standard on all models.

Power Pumps



SITE GAUGE

Metal reservoir site gauge for easy viewing of oil level.



COUPLERS - pages 74 - 75

High flow quick disconnect couplers provide a quick change to a variety of pumps.



HOSES - pages 78 - 79

Heavy duty and thermo plastic hydraulic hoses to meet your requirements and safety factor.



SUC-O-MATIC VALVE

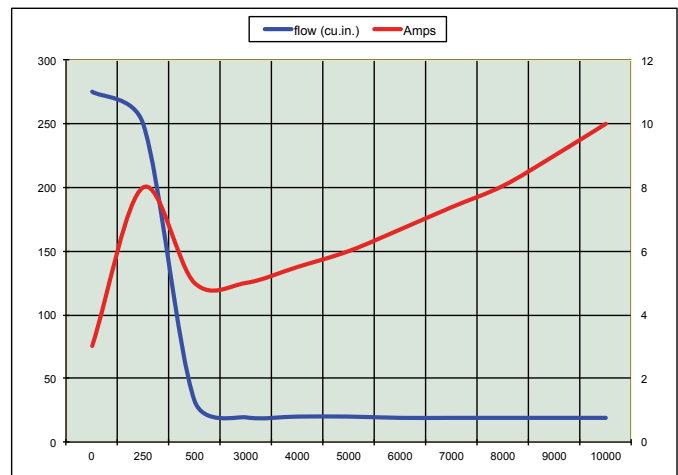
The 3 position / 3 way "Suc-O-Matic" valve draws hydraulic oil out of any single acting cylinder with full retraction regardless of weak springs or mounting.



THINK SAFETY

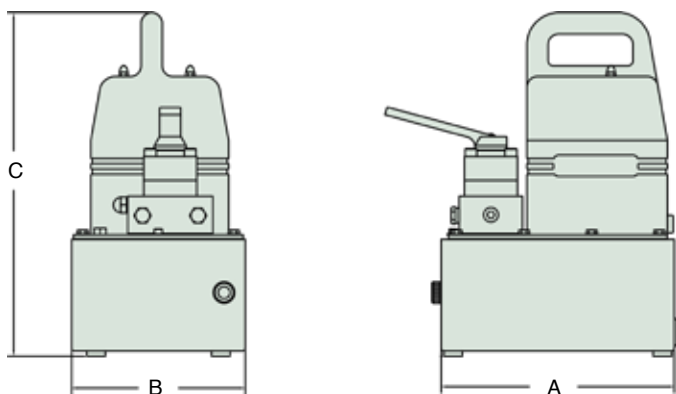
Please refer to pages 4&5 for a complete list of safety tips and recommendations.

With its mobility and power, the G1 power pump with a low profile locknut cylinder was the perfect choice for adjusting loaded shelving racks in this warehouse. ▼





Electric



Reservoir (Gallons)	A	B	C
	(in)	(in)	(in)
1 Plastic	10.52	8.08	15.95
1 Metal	11.00	8.17	16.17

Model	Pressure Rating (psi)		Output Flow (cu.in. / min.)		Motor Spec.		Valve Type	Pendant Control	Usable Oil	Weight (lbs)
	1st Stage	2nd Stage	1st Stage	2nd Stage	(vac)	(amps)				
G1100	400	10,000	250	19	115	10	DUMP	MOTOR	1	30
G1101	400	10,000	250	19	115	10	DUMP	MOTOR	1	32
G1121	400	10,000	250	19	115	10	2W, 2P	MOTOR	1	33
G1131	400	10,000	250	19	115	10	3W, 3P	MOTOR	1	34
G1141	400	10,000	250	19	115	10	4W, 3P	MOTOR	1	34

* For 230 VAC pump use "2" in the 3rd character of the model number. Motor specifications 0,37 kw single phase, 5 amps @ 230 VAC.

* Motor pendant is standard on all models.

Power Pumps

Additional Pump Configurations

