



PALADIN®

STRIKEFORCE

www.paladinattachments.com



SFB500/750 SMALL BREAKERS

FOR MINI EXCAVATORS, BACKHOES, AND SKID STEER LOADERS

StrikeForce™ Small Mounted Breakers are a cost-effective and versatile solution that can be easily mounted onto various types of machines. This flexible mounting system adds value to any contractor's toolkit, making it a useful tool for road construction, utility installation, light demolition, and building construction. These breakers are designed to perform general activities, making them an essential tool for any construction project.

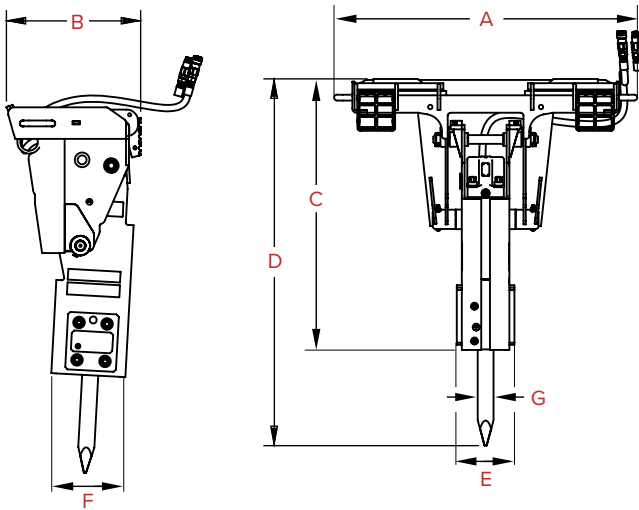
SMALL MOUNTED BREAKERS

FOR MINI EXCAVATORS, BACKHOES AND SKID STEER LOADERS

FEATURES

- The equipment offers dual mounting options, including flat top and pin-on, along with mini-excavators and SSL adapters. This feature maximizes the fleet's flexibility and minimizes the overall owning cost
- High power to weight ratio: From industry leading impact power and effective side plate structure design
- SSL mounting: Available for standard SAE SSL interfaces in either single or multiposition adapter options
- StrikeForce adapter pattern: Common pattern used by other StrikeForce tools in the same weight class, offering increased flexibility and versatility
- The safety feature of the equipment eliminates direct contact between the operator and the breaking work, ensuring the protection of the worker and preventing any potential injuries

SPECIFICATIONS



WITH SKID STEER MOUNT

	SFB500	SFB750
A	45.31 IN. / 1151 MM	45.31 IN. / 1151 MM
B	33.70 IN. / 856 MM	33.70 IN. / 856 MM
C	45.70 IN. / 1161 MM	49.13 IN. / 1248 MM
D	62.08 IN. / 1577 MM	67.32 IN. / 1710 MM
E	9.89 IN. / 251 MM	9.89 IN. / 251 MM
F	12.68 IN. / 322 MM	13.74 IN. / 349 MM
G	2.76 IN. / 70 MM	2.67 IN. / 68 MM

GENERAL SPECIFICATIONS	SFB500	SFB750
WORKING WEIGHT	573 IN. / 260 MM	639 IN. / 290 MM
IMPACT RATE	650 - 1550 BPM	600 - 1100 BPM
OPERATING PRESSURE	1450 - 1030 PSI / 100 - 140 BAR	1595 - 2175 PSI / 110 - 150 BAR
RELIEF PRESSURE	2900 - 3045 PSI / 200 - 210 BAR	2900 - 3045 PSI / 200 - 210 BAR
OIL FLOW	10 - 21.9 GPM / 38 - 83 LPM	11.9 - 21.9 GPM / 45 - 83 LPM
BACK PRESSURE	145 PSI / 10 BAR	145 PSI / 10 BAR
PRESSURE LINE SIZE	.75 IN. / 19 MM	.75 IN. / 19 MM
RETURN LINE SIZE	.75 IN. / 19 MM	.75 IN. / 19 MM
PRIME MOVER WEIGHT	4630 - 7055 LBS. / 2.1 - 3.2 TON	4400 - 9900 LBS. / 2 - 4.5 TON
BACK HEAD PRESSURE	200 PSI / 13.8 BAR	160 PSI / 11 BAR
OIL TEMPERATURE	-4° ~ +176° F / -20° ~ +80° C	-4° ~ +176° F / -20° ~ +80° C
HYDRAULIC OIL VISCOSITY	1000 - 15 CST	1000 - 15 CST