



CAST CARBON STEEL GLOBE VALVES

Warren Valve’s line of Cast Carbon Steel Globe Valves are offered in classes 150, 300, 600, 900, and 1500. For oil and gas refineries and petrochemical plants, Warren’s carbon steel valves are an economical and quality choice.

Warren Valves are subject to rigorous quality inspections.

Our comprehensive evaluation includes on-site audits, inspection at the source, receiving inspections, and destructive material testing. Mill test reports are always available.

PRODUCT OVERVIEW

SIZE RANGE	2" - 36"
MATERIAL GRADES	WCB & LCC
TRIM MATERIALS	Trim 5, 8, 12, 16, & Special Materials
END CONFIGURATIONS	Raised Face & RTJ
OPTIONS	NACE, Bevel Gears, & Special Modifications
FEATURES	Bolted Bonnet, Packing & Gasket (Low Fugitive Emission) <i>*Also available in our Contractor Series 2" - 12"</i>

CLASS	FIGURE NUMBER
150#	2155
300#	2305
600#	2605
900#	2905
1500#	2505

GENERAL DESIGN FEATURES

Testing	598 Hydro 1
Pressure Temperature Rating	ANSI B16.34
Face-to-Face Dimensions	ANSI B16.10
End Flange Dimensions	ANSI B16.512
Visual Inspection of Castings	MSS-SP-55

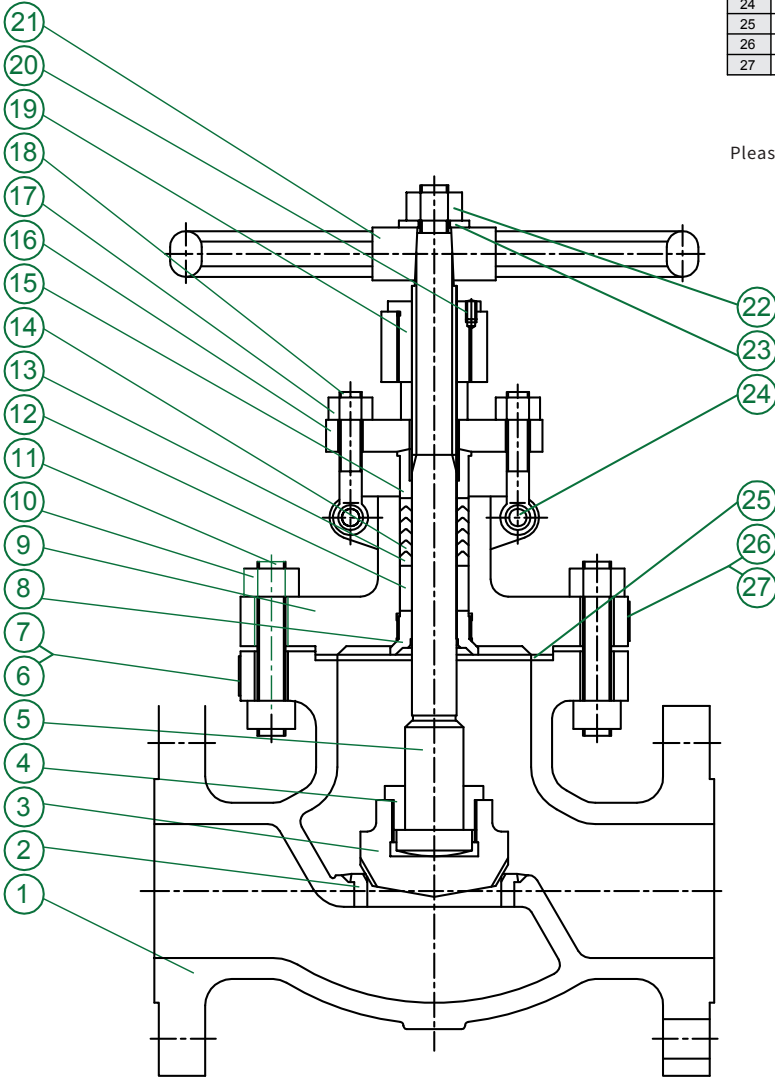
¹ Every Warren Valve is 100% pressure tested according to 598 test requirements. MTRs are available upon request.

² Valves 26" and larger according to ANSI B16.47 Series A (MSS SP-44) and Series B

ANSI CLASS 150 - 300 - 600 - 900 - 1500

MATERIAL LIST

NO.	NAME PARTS	MATERIALS
1	BODY	ASTM A216 Gr. WCB
2	SEAT RING	ASTM A105+STL 6#
3	DISC	ASTM A105+13Cr
4	DISC NUT	ASTM A276 Gr.410
5	STEM	ASTM A182 Gr.F6a
6	NAMEPLATE	ASTM A666 Gr. 304
7	RIVET	ASTM A666 Gr. 304
8	BACK SEAT RING	ASTM A276 Gr.410
9	BONNET	ASTM A216 Gr. WCB
10	BONNET NUT	ASTM A194 Gr. 2H (HEAVY)
11	BONNET BOLT	ASTM A193 Gr. B7
12	PACKING WASHER	ASTM A276 Gr.410
13	PACKING	BRAIDED GRAPHITE (Cup and Cone Design)
14	PACKING	FLEXIBLE GRAPHITE (Cup and Cone Design)
15	GLAND	ASTM A276 Gr.410
16	GLAND FLANGE	ASTM A216 Gr. WCB
17	EYE BOLT NUT	ASTM A194 Gr. 2H (HEAVY)
18	EYE BOLT	ASTM A193 Gr. B7
19	STEM NUT	ASTM A439 Gr. D-2
20	SCREW	AISI 1035
21	HANDWHEEL	ASTM A536 65-45-12
22	HANDWHEEL NUT	ASTM A194 Gr. 2H (HEAVY)
23	WASHER	AISI 1035
24	EYE BOLT PIN	AISI 1045
25	GASKET	GRAPHITE+304 (SPIRAL WOUNDED)
26	LOW EMISSION TAG	ASTM A666 Gr. 304
27	RIVET	ASTM A666 Gr. 304



OTHER BODY AND TRIM MATERIALS AVAILABLE.

Please contact Warren Valve or your Warren Valve representative for more details.

ANSI CLASS 150 - 300 - 600 - 900 - 1500

FIGURE NUMBER 2155

SIZE	PORT	L	ϕG	ϕJ	ϕI	T	M	ϕN
2"	2.00	8.00	6.00	4.75	3.62	0.75	4	0.75
2-1/2"	2.50	8.50	7.00	5.50	4.12	0.88	4	0.75
3"	3.00	9.50	7.50	6.00	5.00	0.94	4	0.75
4"	4.00	11.50	9.00	7.50	6.18	0.94	8	0.75
5"	5.00	14.00	10.00	8.50	7.32	0.94	8	0.88
6"	6.00	16.00	11.00	9.50	8.50	1.00	8	0.88
8"	8.00	19.50	13.50	11.75	10.62	1.12	8	0.87
10"	10.00	24.50	16.00	14.25	12.75	1.22	12	1.00
12"	12.00	27.50	19.00	17.00	15.00	1.26	12	1.00
14"	13.25	31.00	21.00	18.75	16.25	1.37	12	1.12
16"	15.25	36.00	23.50	21.26	18.50	1.46	16	1.12
18"	17.25	38.50	25.00	22.75	21.00	1.57	16	1.26

FIGURE NUMBER 2305

SIZE	PORT	L	ϕG	ϕJ	ϕI	T	M	ϕN
2"	2.00	10.50	6.50	5.00	3.62	0.88	8	0.76
2-1/2"	2.50	11.50	7.50	5.88	4.12	1.00	8	0.88
3"	3.00	12.50	8.25	6.62	5.00	1.12	8	0.88
4"	4.00	14.00	10.00	7.88	6.18	1.25	8	0.88
5"	5.00	15.75	10.98	9.25	7.32	1.38	8	0.88
6"	6.00	17.50	12.50	10.62	8.50	1.46	12	0.88
8"	8.00	22.00	15.00	13.00	10.62	1.61	12	0.98
10"	10.00	24.50	17.50	15.25	12.75	1.89	16	1.13
12"	12.00	28.00	20.50	17.75	15.00	2.00	16	1.25
14"	13.25	33.00	23.00	20.25	16.25	2.13	20	1.25
16"	15.25	36.00	25.50	22.50	18.50	2.26	20	1.38
18"	17.25	38.50	28.00	24.75	21.00	2.38	24	1.38

FIGURE NUMBER 2605

SIZE	PORT	L	ϕG	ϕJ	ϕI	T	M	ϕN
2"	2.00	11.50	6.50	5.00	3.62	1.00	8	0.75
2-1/2"	2.50	13.00	7.50	5.87	4.13	1.14	8	0.88
3"	3.00	14.00	8.25	6.62	5.00	1.25	8	0.88
4"	4.00	17.00	10.75	8.50	6.19	1.50	8	1.00
6"	6.00	22.00	14.00	11.50	8.50	1.89	12	1.12
8"	7.87	26.00	16.50	13.75	10.63	2.20	12	1.25
10"	9.75	31.00	20.00	17.00	12.75	2.50	16	1.38
12"	11.75	33.00	22.00	19.25	15.00	2.64	20	1.38
14"	12.87	35.00	23.74	20.75	16.26	2.76	20	1.50
16"	14.75	39.00	27.00	23.75	18.50	3.00	20	1.63

FIGURE NUMBER 2905

SIZE	PORT	L	φG	φJ	φI	T	M	φN
2"	1.87	14.50	8.50	6.50	3.62	1.50	8	0.98
3"	2.87	15.00	9.50	7.50	5.00	1.50	8	1.00
4"	3.87	18.00	11.50	9.25	6.19	1.75	8	1.25
6"	5.75	24.00	15.00	12.50	8.50	2.20	12	1.25
8"	7.50	29.00	18.50	15.50	10.63	2.50	12	1.50
10"	9.75	33.00	21.50	18.50	12.75	2.76	16	1.50
12"	11.12	38.00	24.00	21.00	15.00	3.13	20	1.50

FIGURE NUMBER 2505

SIZE	PORT	L	φG	φJ	φI	T	M	φN
2"	1.87	14.50	8.50	6.50	3.62	1.50	8	1.00
3"	2.75	18.50	10.50	8.00	5.00	1.89	8	1.25
4"	3.62	21.50	12.25	9.50	6.19	2.13	8	1.38
6"	5.37	27.75	15.50	12.50	8.50	3.25	12	1.50
8"	7.00	32.75	19.00	15.50	10.63	3.62	12	1.75
10"	8.75	39.00	23.00	19.00	12.75	4.25	12	2.00
12"	10.37	44.50	26.50	22.50	15.00	4.88	16	2.13

